



HOBBAO RACING

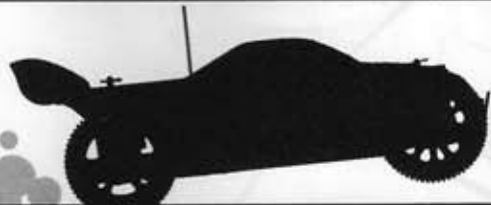
INSTRUCTION MANUAL

**PRO
HYPER★ST**
Performance to Win!

1/8 Scale Gas Powered Racing Truggy

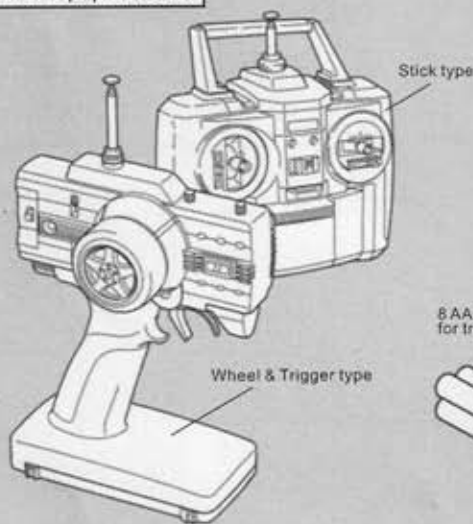
PRO HYPER ST

Performance to Win!



Required

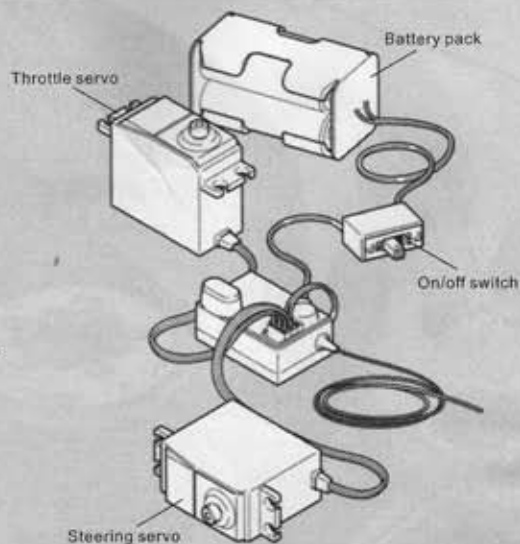
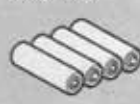
Radio control equipment set



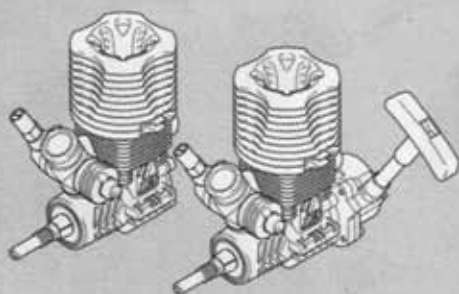
8 AA Size batteries for transmitter



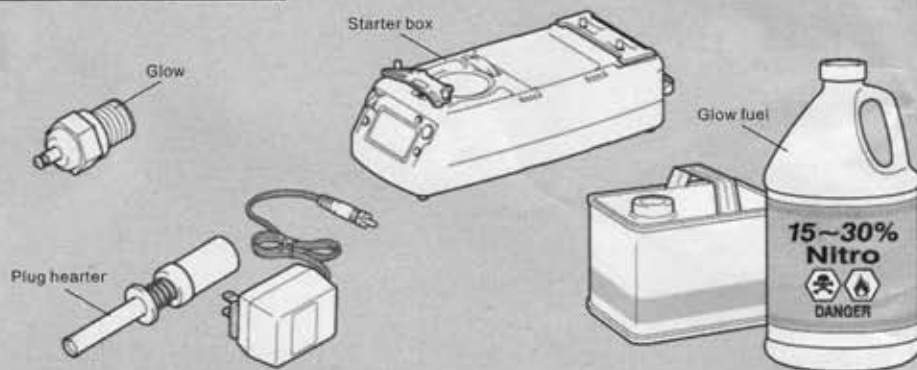
4 AA Size batteries for receiver



Hyper Engine SERIES



Required for engine starting



Tools recommended

Hex wrench with 2.5mm



2mm



1.5mm



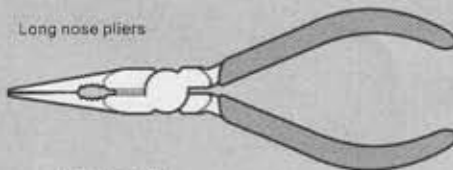
⊕ Screwdriver (small)



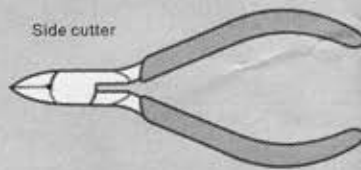
⊖ Screwdriver



Long nose pliers



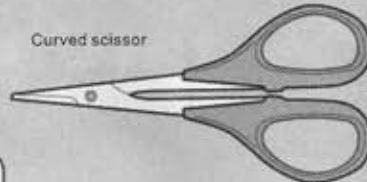
Side cutter



Modeling knife



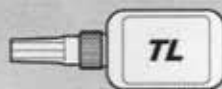
Curved scissor



Instant cement



Thread lock



Instant cement



Rubber cement



Included items

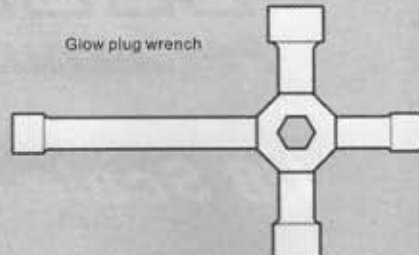
Hex wrench with



Fuel bottle



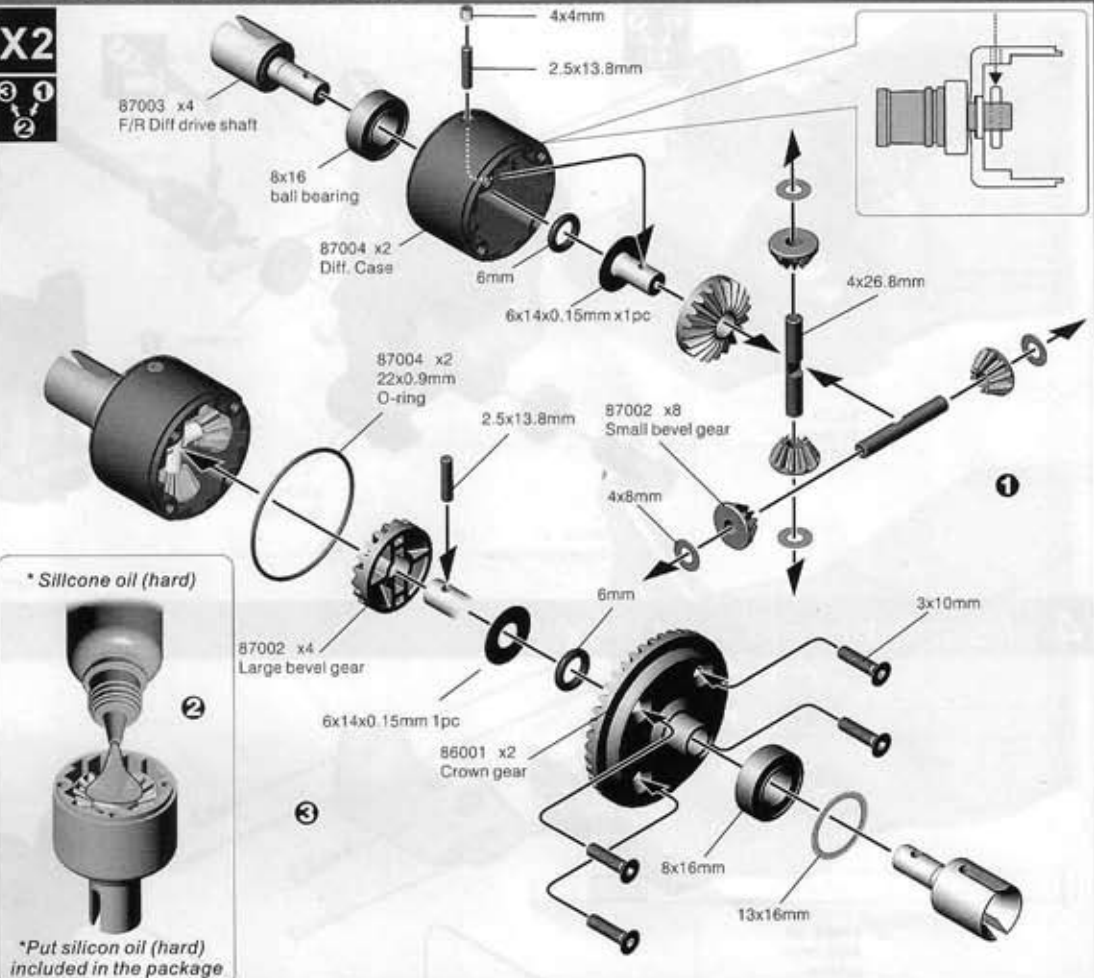
Glow plug wrench



1 Assembly of Front / Rear Differential.











-  84076 x4
8x16mm
Ball bearing
-  87003 x4
2.5x13.8mm
Shaft
-  87002 x4
4x26.8mm
Shaft
-  87004 x4
6mm
O-ring
-  87002 x8
4x8mm
Washer
-  86001
13x16mm
Washer
-  86001 x6
6x14x0.15x6pcs
-  38404 x2
4x4mm
Set screws
-  31310 x8
3x10mm
F/H screw

X2
③ ①
②

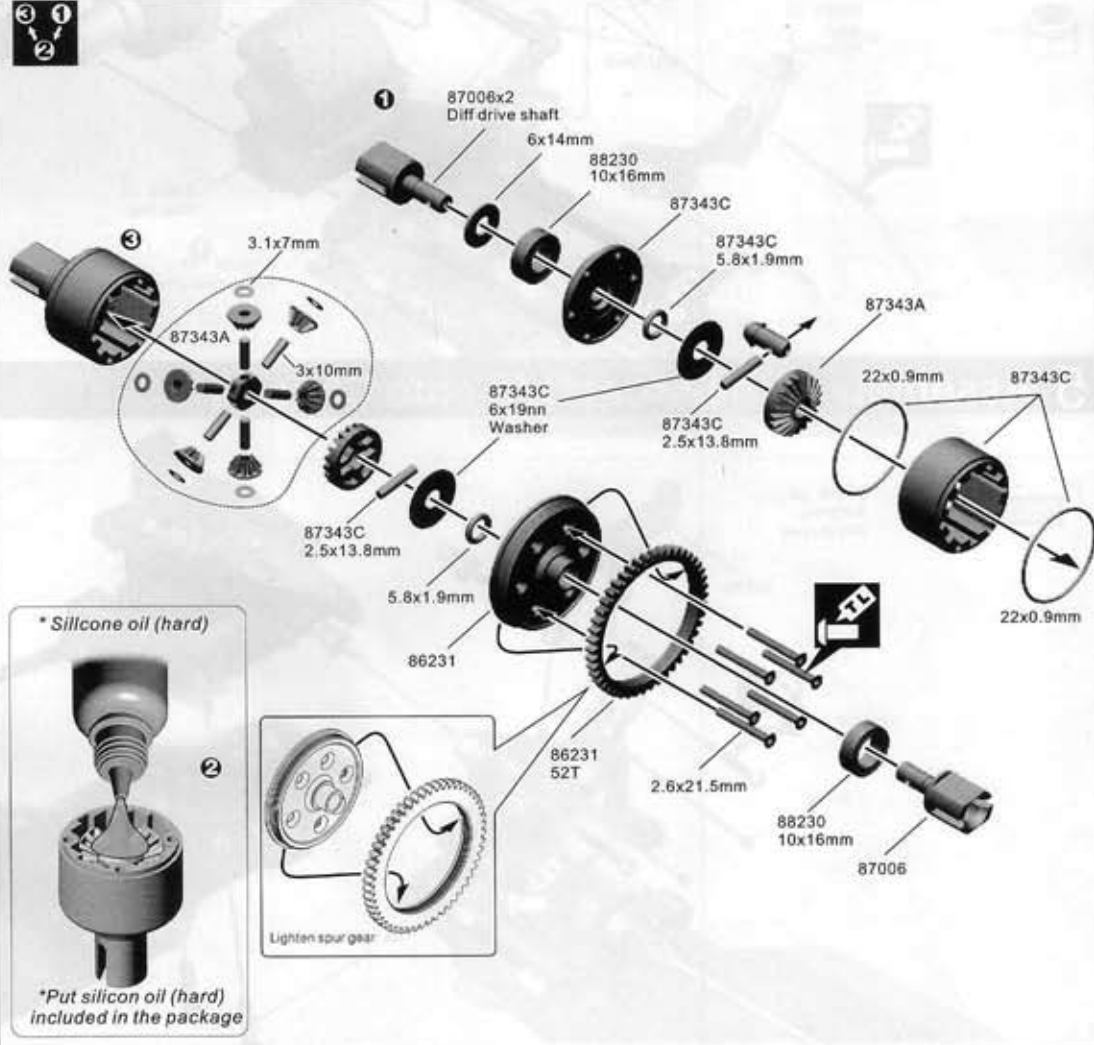


*** Silicone oil (hard)**
②
***Put silicon oil (hard) included in the package**

2 Assembly of Center Spider Differential.


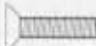
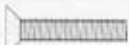

-  88230 x2
10x16mm
Ball bearing
-  87343A x6
3x10mm
shaft
-  87343C x2
2.5x13.8mm
shaft
-  87343A x1
Hex mount
-  87343C x2
5.8x1.9mm
O-ring
-  87343C x2
6x19mm
Washer
-  87343A x2
18T bevel gear
-  87343A x6
8T bevel gear
-  87343A x6
3.1x7mm
Washer
-  31221 x6
2.6x21.5mm
F/H screw

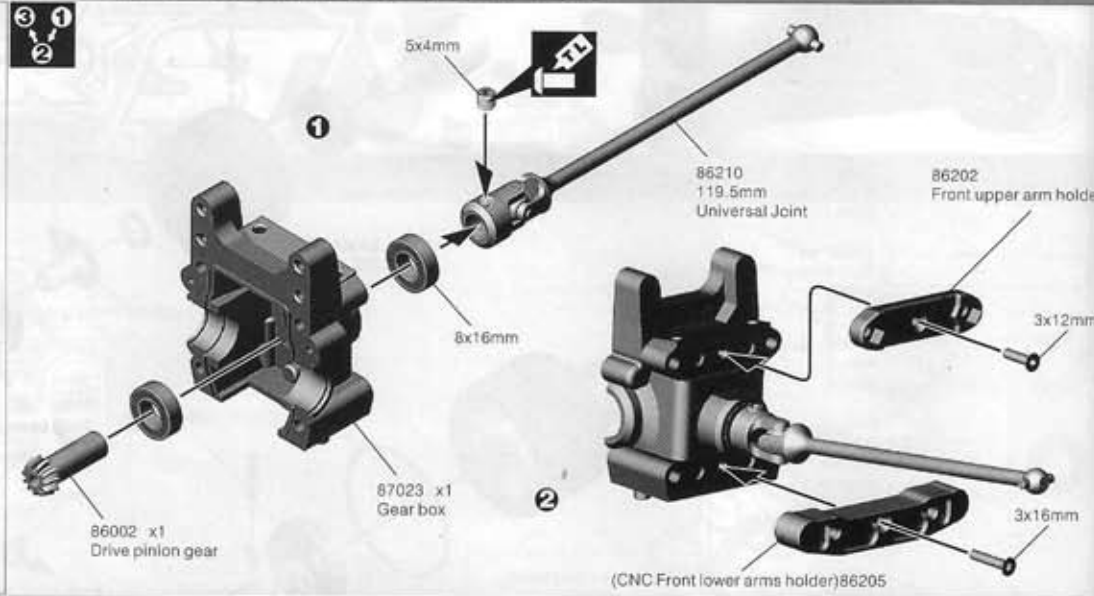
③ ①
②






*** Silicone oil (hard)**
②
***Put silicon oil (hard) included in the package**

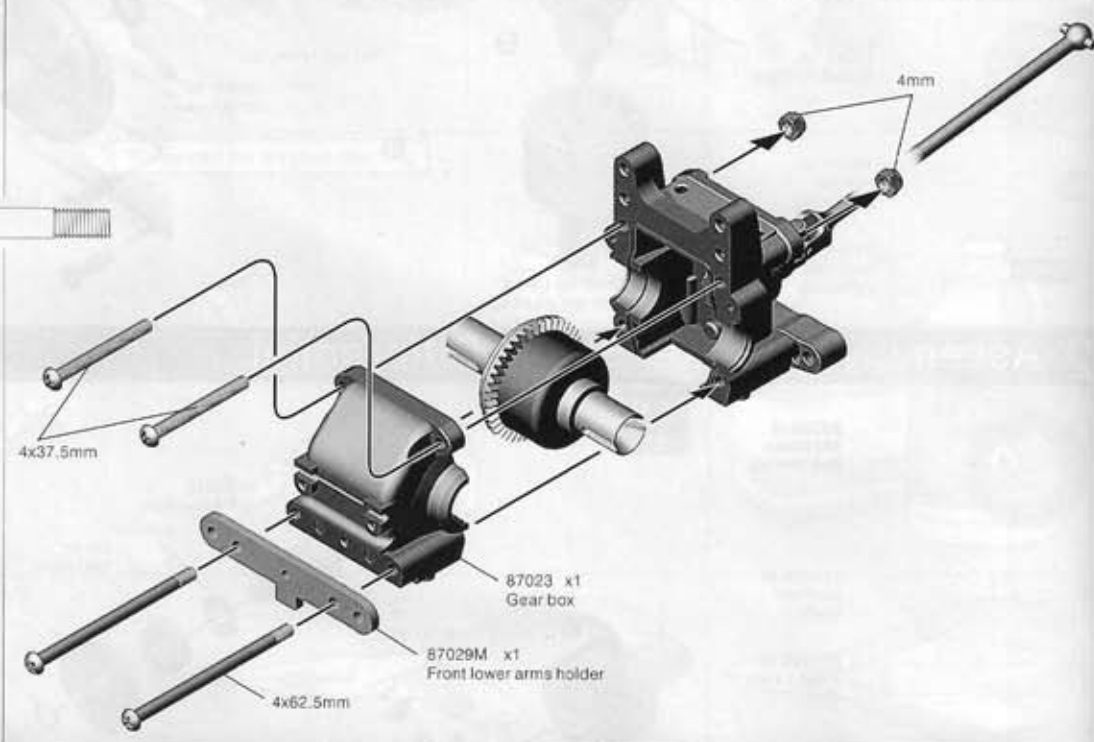
3 Assembly of Front Drive Shaft onto Gear Box

-  38504 x1
5x4mm
Set screw
-  31312 x1
3x12mm
TP/FH screw
-  31316 x1
3x16mm
F/H screws
-  84076 x2
8x16mm
Ball bearing



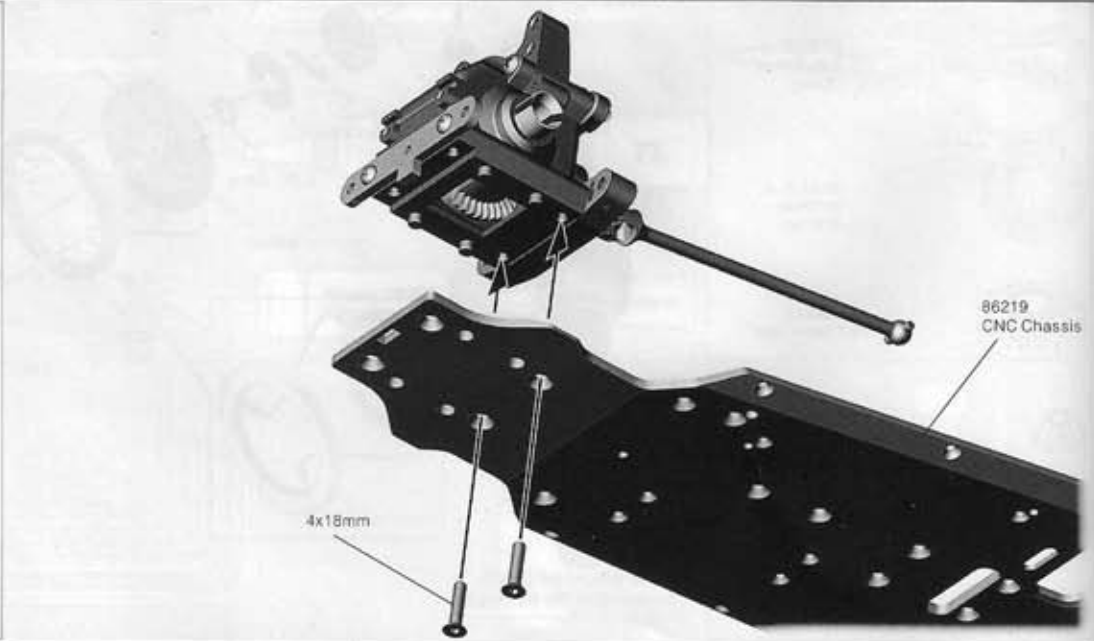
4 Assembly of Gear Box

-  87023 x2
4x37.5mm
screws
-  87023 x2
4x62.5mm
screws
-  87023 x2
4mm
Nylon nut



5 Assembly of the Front Diff. onto Chassis

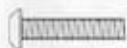
-  31418 x2
4x18mm
F/H screws



6 Assembly of Front Shock Stay



33415 x4
4x15mm
TP screws



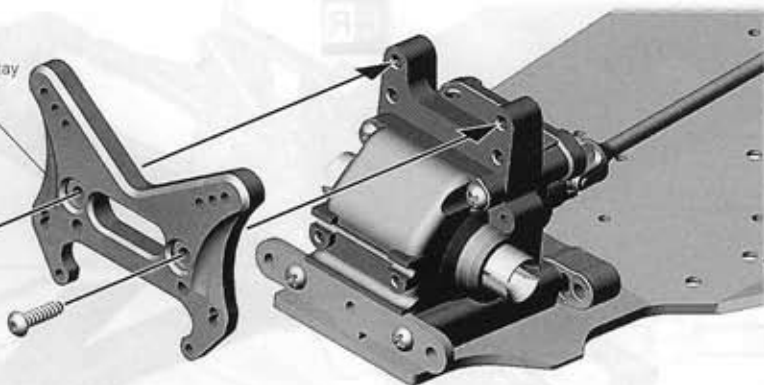
33315 x2
3x15mm
screws



86201
CNC Front shock stay

4x15mm

1

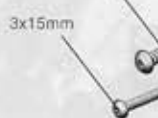


2

86202

4x15mm

3x15mm



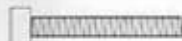
7 Assembly of Front Body Post



38304 x2
3x4mm
Set screws



33308 x2
3x8mm
screws



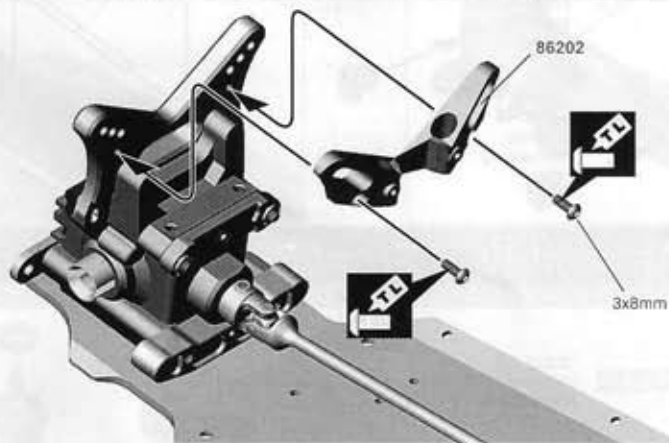
32320 x2
3x20mm
screws



87031 x2
Steel shock ball



1

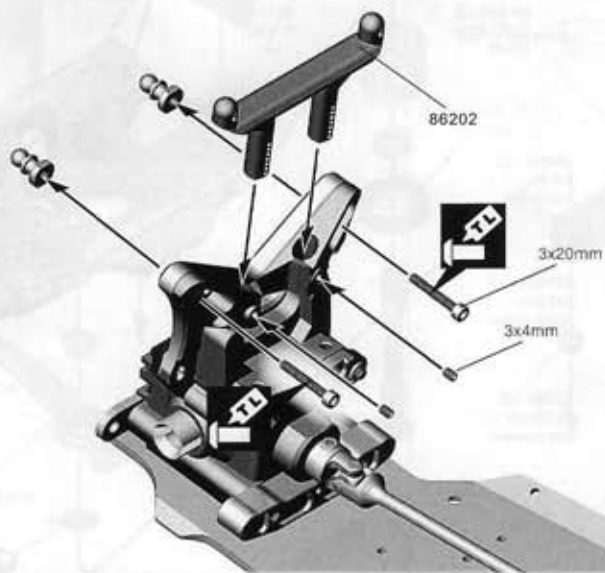


2

86202

3x20mm

3x4mm

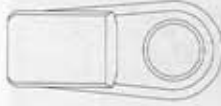


8 Assembly of Front Upper Arms



86008 x2
7.8mm
ball

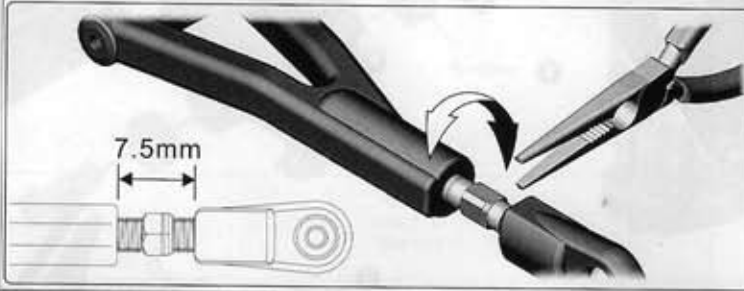
LR



86008 x2
Ball end



88079 x2
5X33mm
Turnbuckle

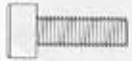


86008 Lx1,Rx1
Front upper suspension arms

9 Assembly of Steering Knuckle



38505 x2
5x5mm
Set screws



32412 x4
4x12mm
screws



87027H x2
2.5x16.8mm
Shaft



87032-1
Steel collar

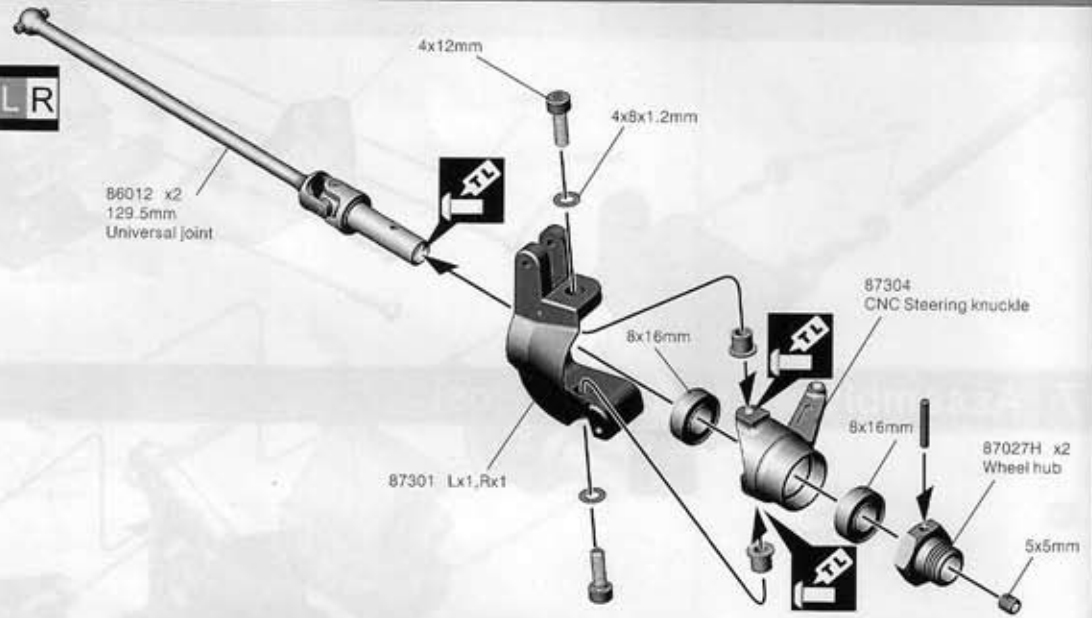


87032-1
4x8x1.2mm
washer



84076 x4
8x16mm
Ball bearing

LR



86012 x2
129.5mm
Universal joint

4x12mm

4x8x1.2mm

87304
CNC Steering knuckle

8x16mm

8x16mm

87301 Lx1,Rx1

87027H x2
Wheel hub

5x5mm

10 Assembly of Front Suspension Arms



32322 x2
3x22mm
Cap screws



86020 x2
3x30.8mm
Shaft



39008 x2
3mm
Nylon nut

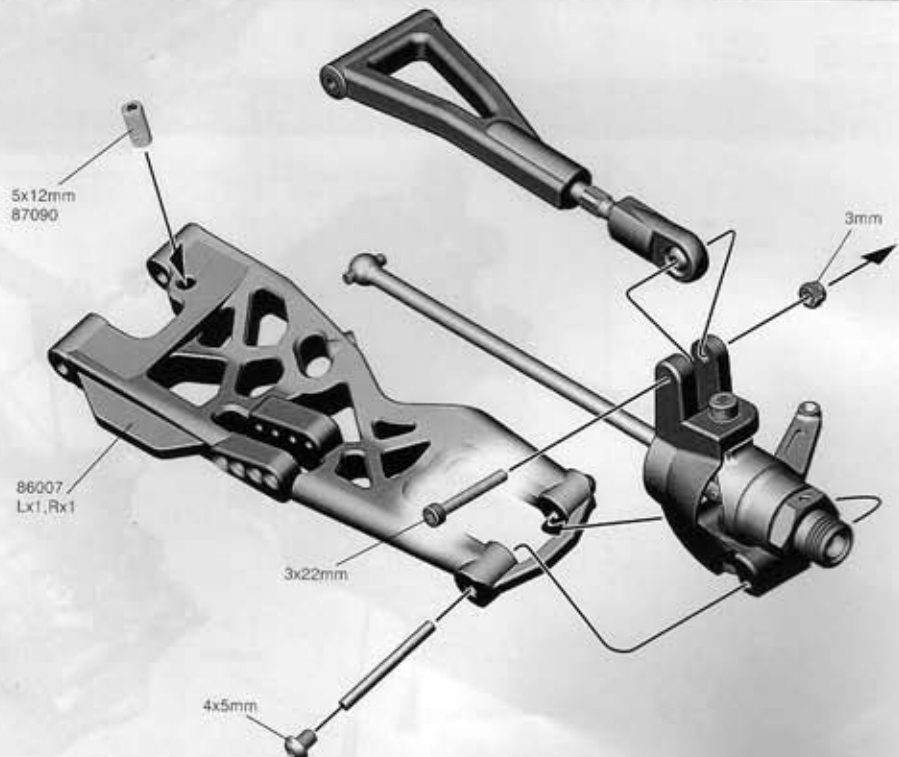


33405T x2
4x5mm
Alum screw



87090 x2
5x12mm
Set screws

LR



5x12mm
87090

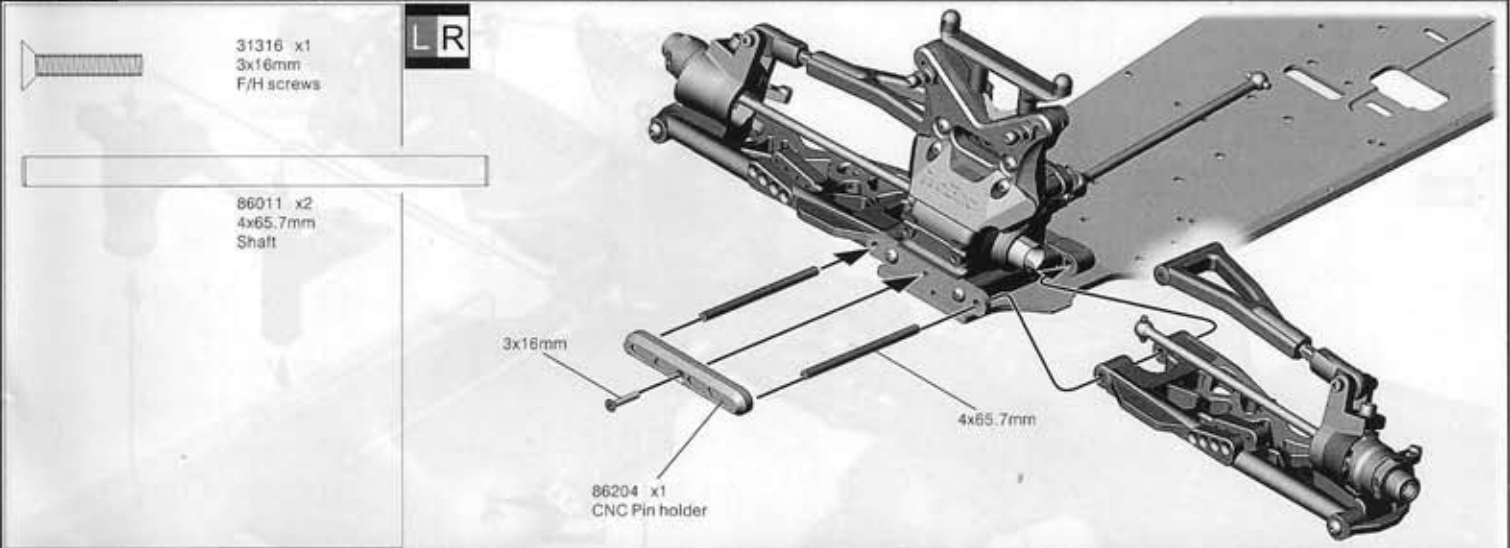
86007
Lx1,Rx1

3x22mm

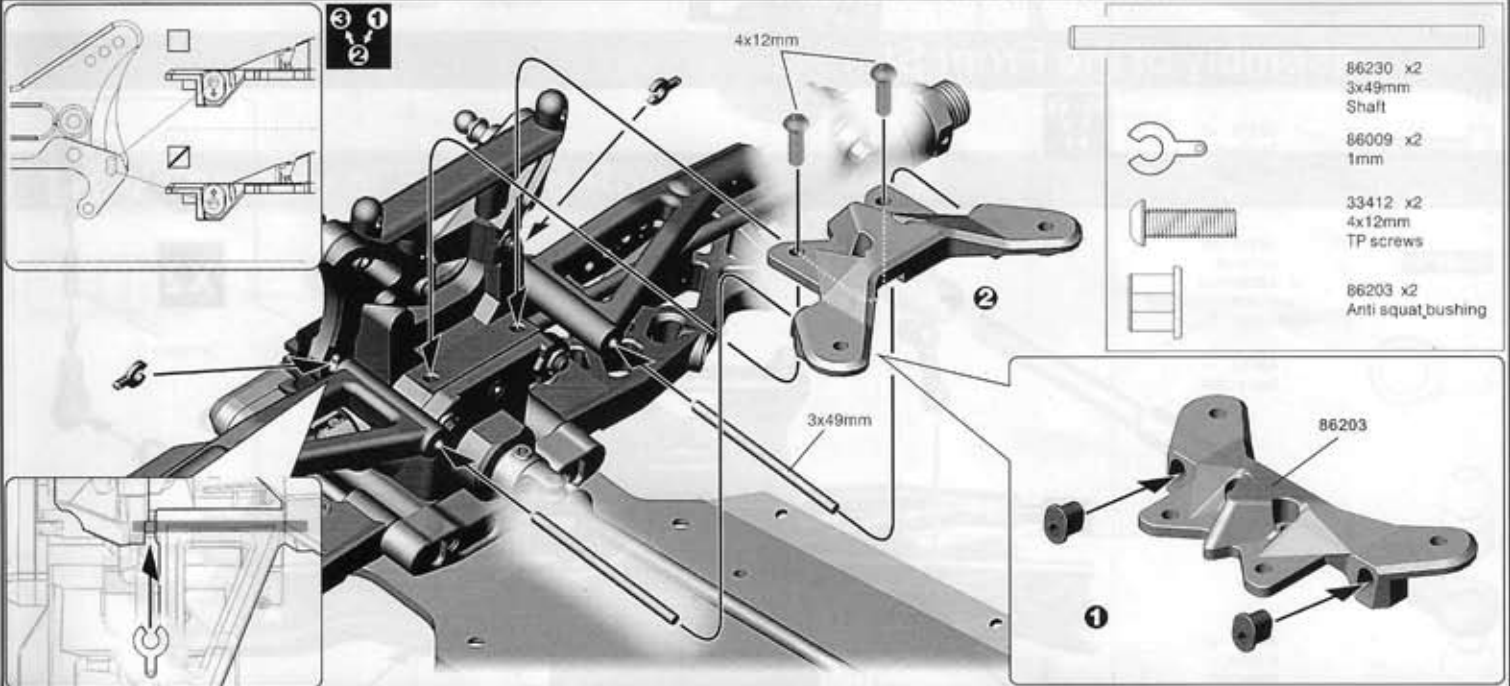
3mm

4x5mm

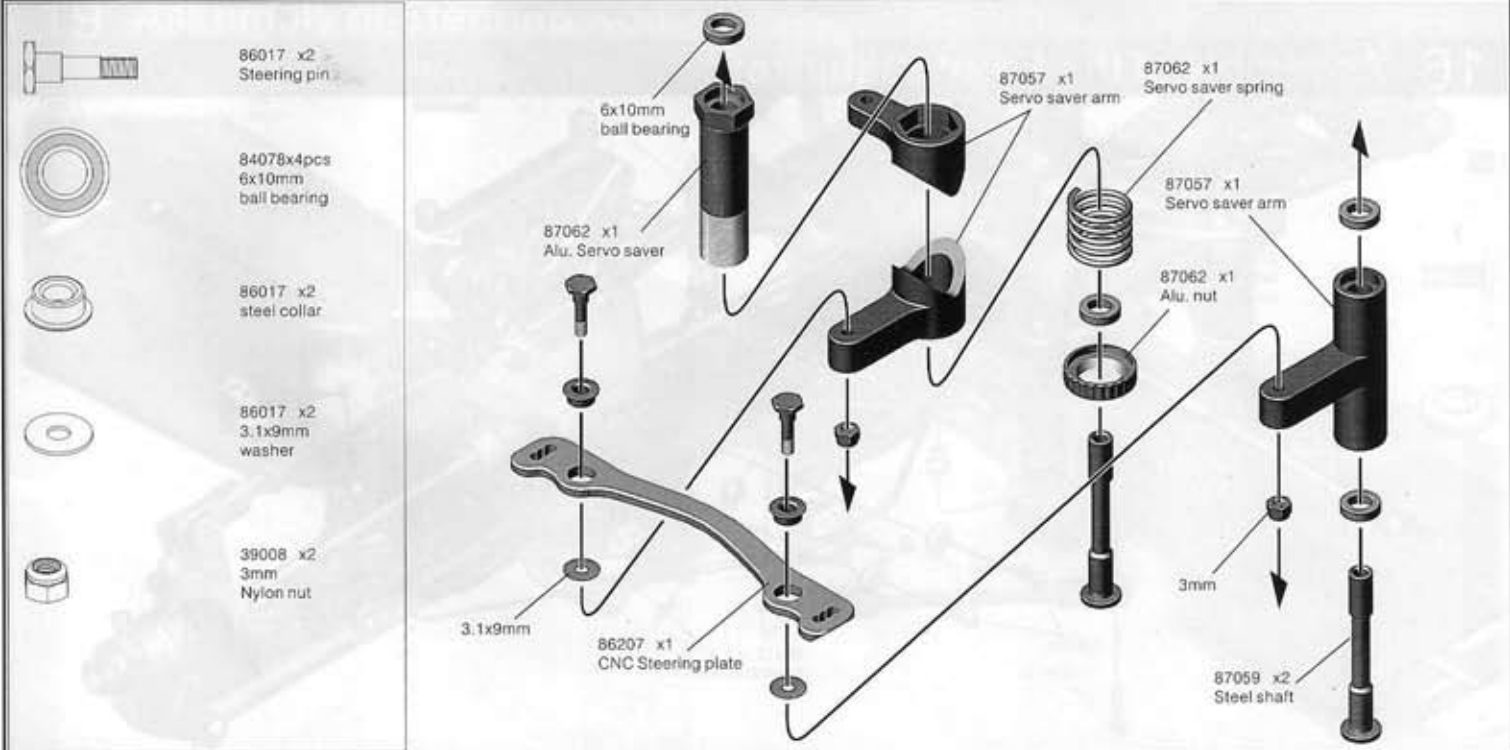
11 Assembly of Front Suspension Arms



12 Assembly of Front Upper Plate



13 Assembly of Steering Servo Saver Arms



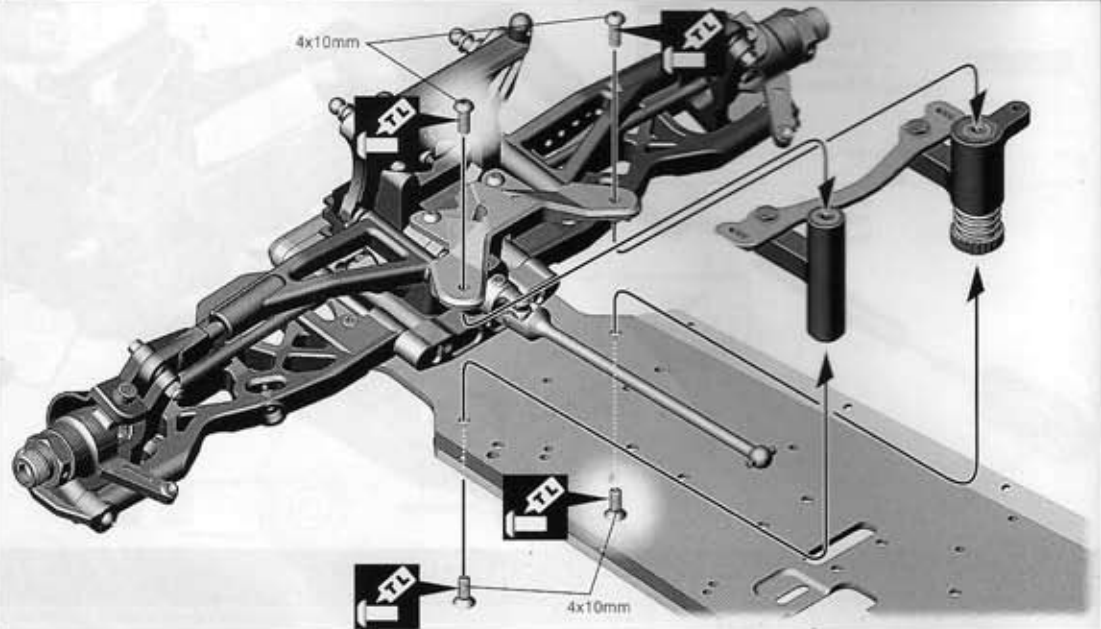
14 Assembly of Steering System onto Chassis



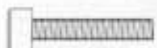
33410 x2
4x10mm
screws



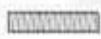
31410 x2
4x10mm
F/H screws



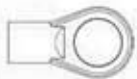
15 Assembly of the Front Stabilizer



32316 x2
3x16mm
cap screws



38312 x2
3x12mm
set screws



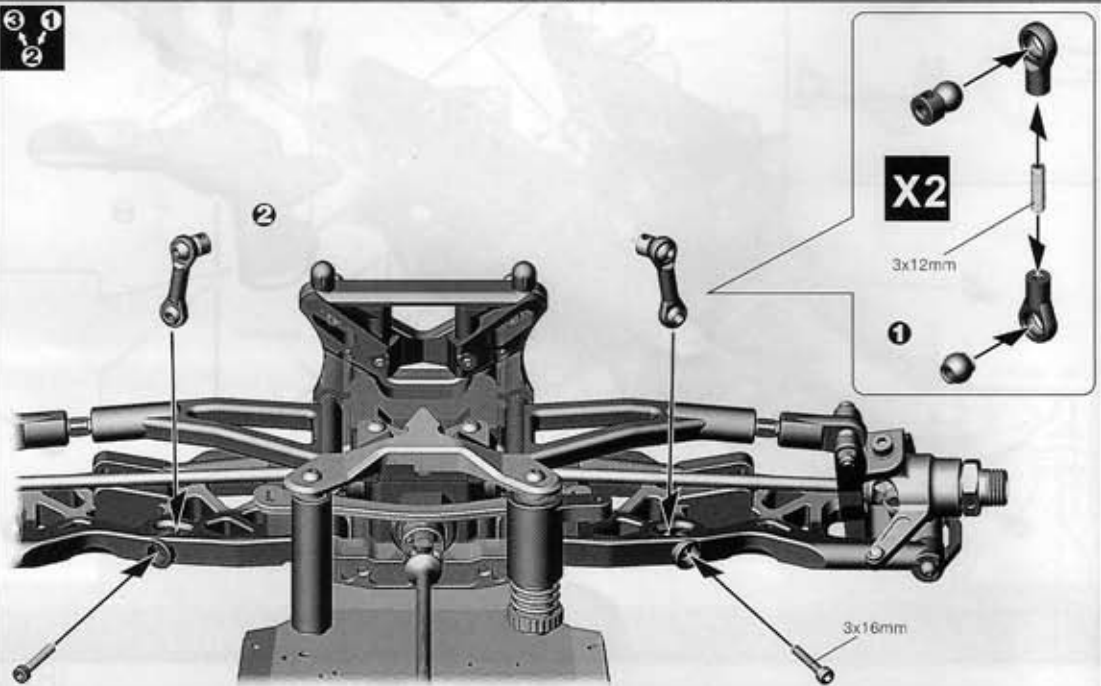
86013
Ball endx4



86013
Pivot ball Collarx2



86013 x2
6.8mm
Steel ball



16 Assembly of the Front Stabilizer



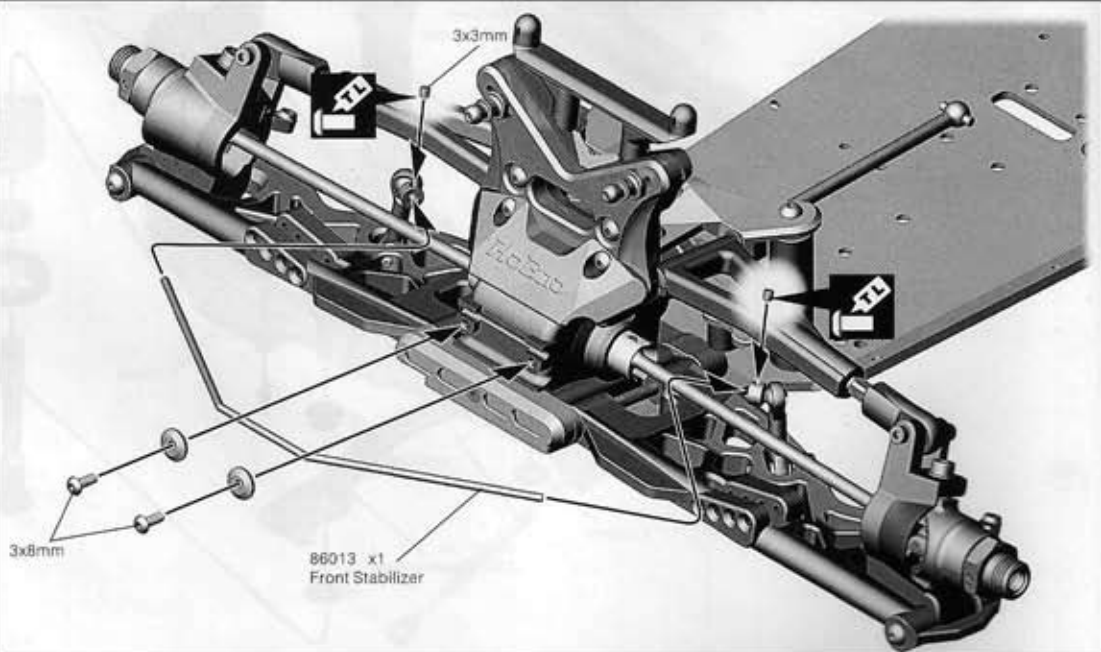
38303 x2
3x3mm
set screws



33308 x2
3x8mm
screws



86013
Alum collarx2

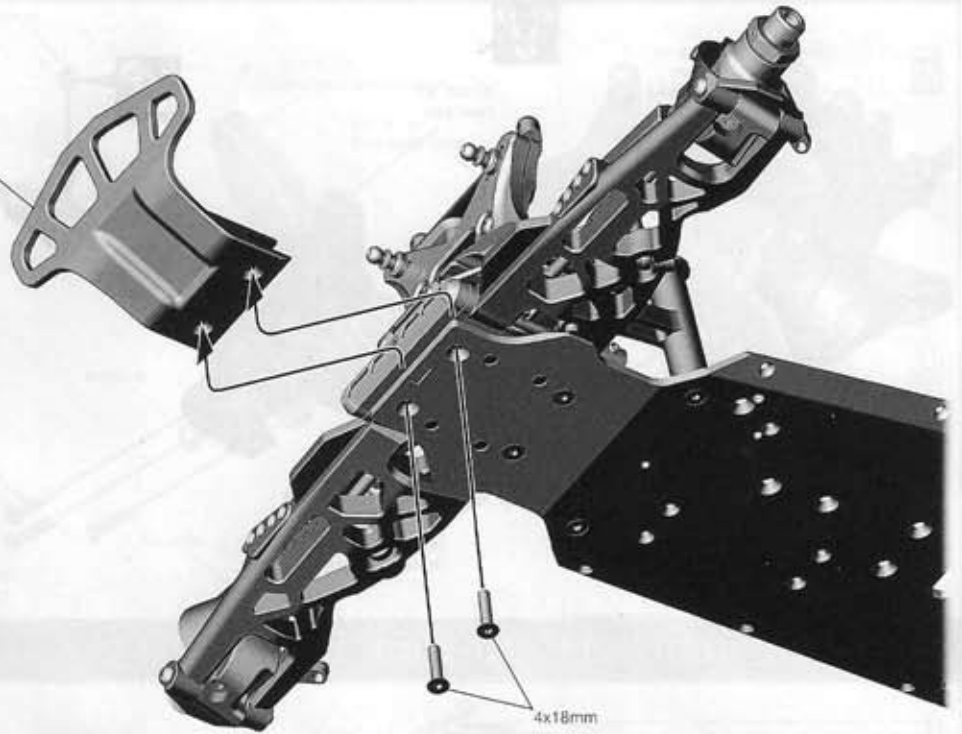


17 Assembly of Front Bumper



31418 x2
4x18mm
F/H screws

86003 x1
Front bumper

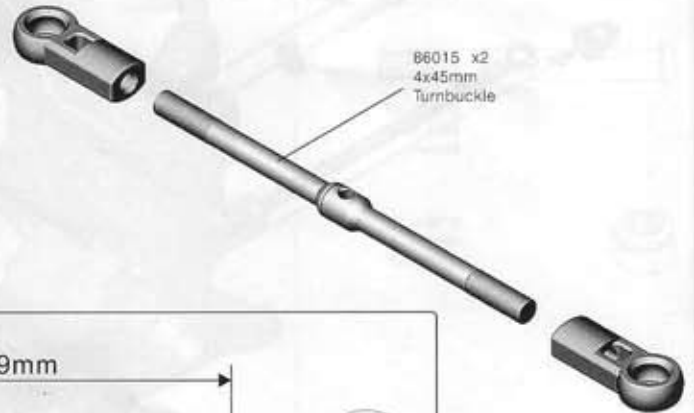


18 Assembly of Steering Rod

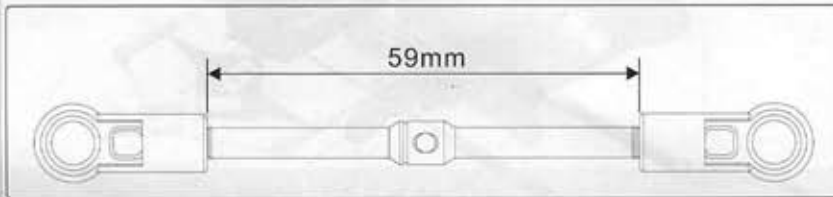


87055 x4
Steering ball end

X2



86015 x2
4x45mm
Turnbuckle



59mm

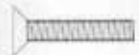
19 Assembly of Steering Rod



86017 x2
3mm
Nut

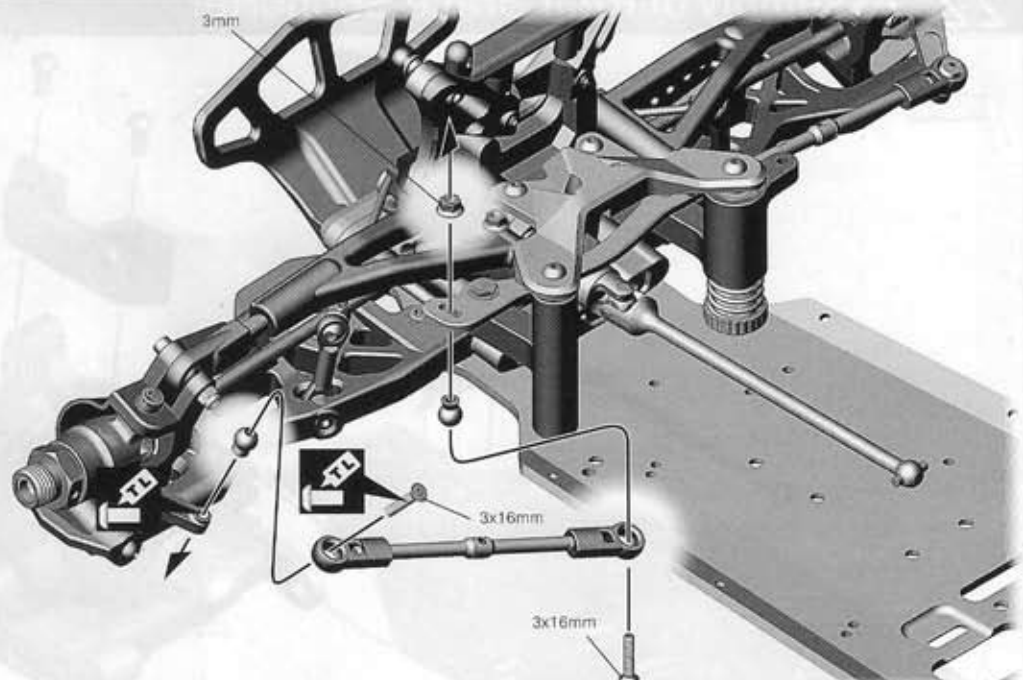


87055 x4
6.8mm
Ball



31316 x4
3x16mm
screws

LR



3mm

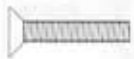
3x16mm

3x16mm

20 Assembly of Rear Gear Box



38504 x1
5x4mm
set screws



31316 x2
3x16mm
screws



84076 x2
8x16mm
Ball bearing

3
1
2

87023 x1
Gear box

5x4mm

86210
Center Universal Joint

86026 x1
Gear support mount

1

8x16mm

86002 x1
Drive pinion gear

3x16mm

2

86216 x1
CNC Rear lower arms holder

3x16mm

21 Assembly of Rear Gear Box



87023 x2
4x62.5mm
screws



87023 x2
4x37.5mm
screws



87023 x2
4mm
Nylon nut

4x37.5mm

4mm

87023 x1
Gear box

4x62.5mm

87040M x1
Rear lower arms holder

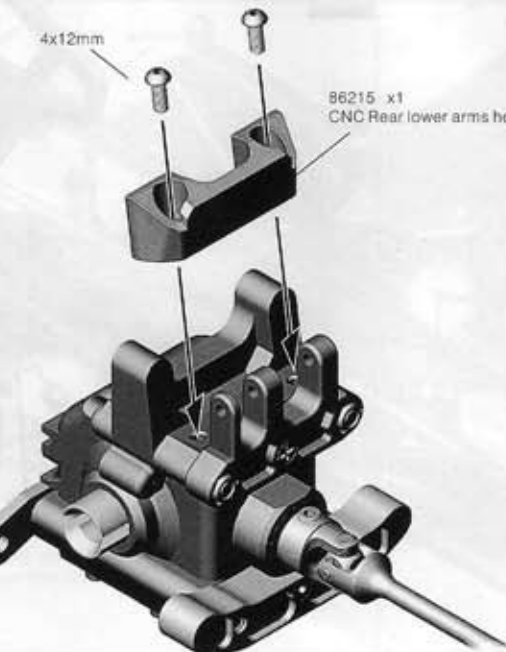
22 Assembly of Rear Brace Supporter



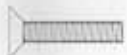
33412 x2
4x12mm

4x12mm

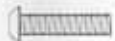
86215 x1
CNC Rear lower arms holder



23 Assembly of Rear Shock Stay



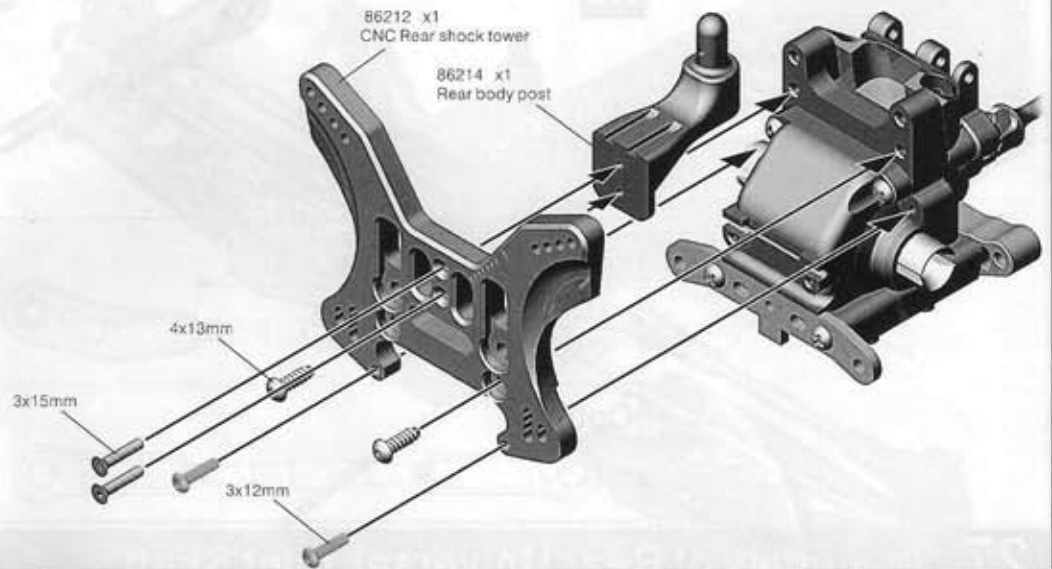
31315 x2
3x15mm
screws



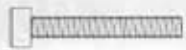
33312 x2
3x12mm
Tapping screw



33413T x2
4x13mm
TP screws



24 Assembly of Rear Shock Stay



32320 x4
3x20mm
Screws



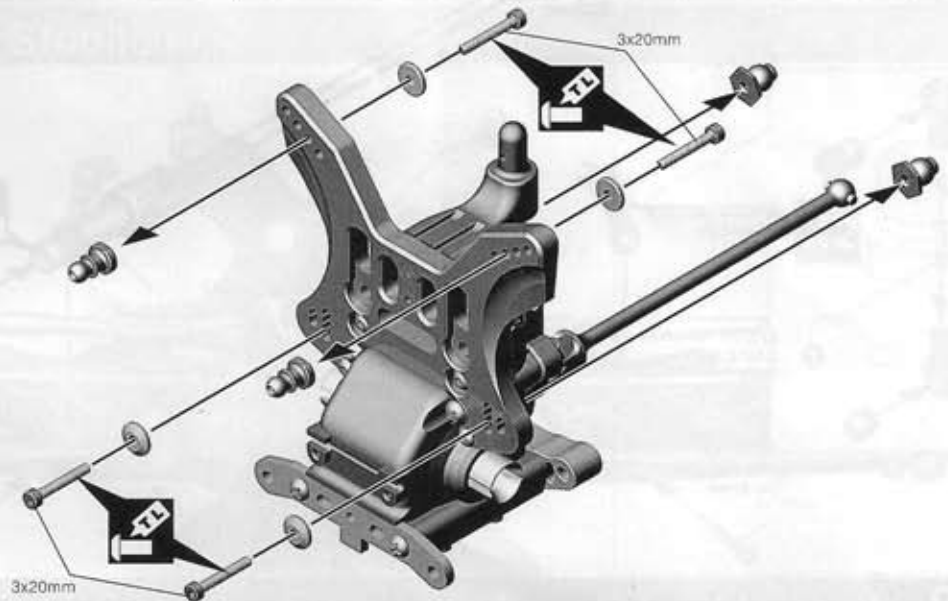
88032 x2
Flange ball



87031 x2
Steel shock ball



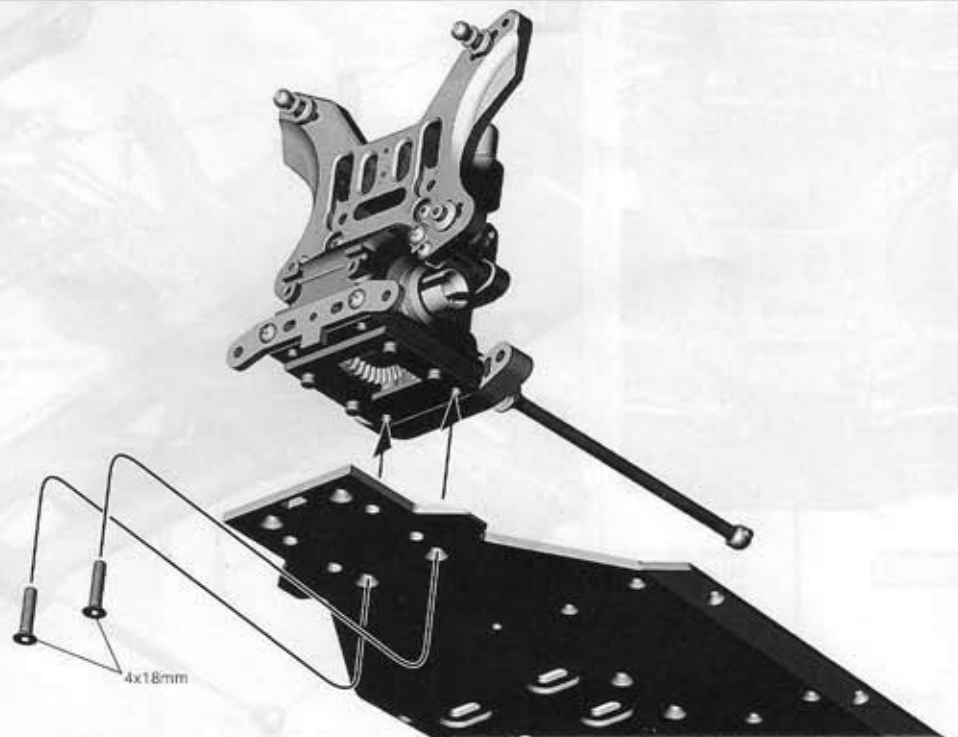
88115 x4
Alum collar



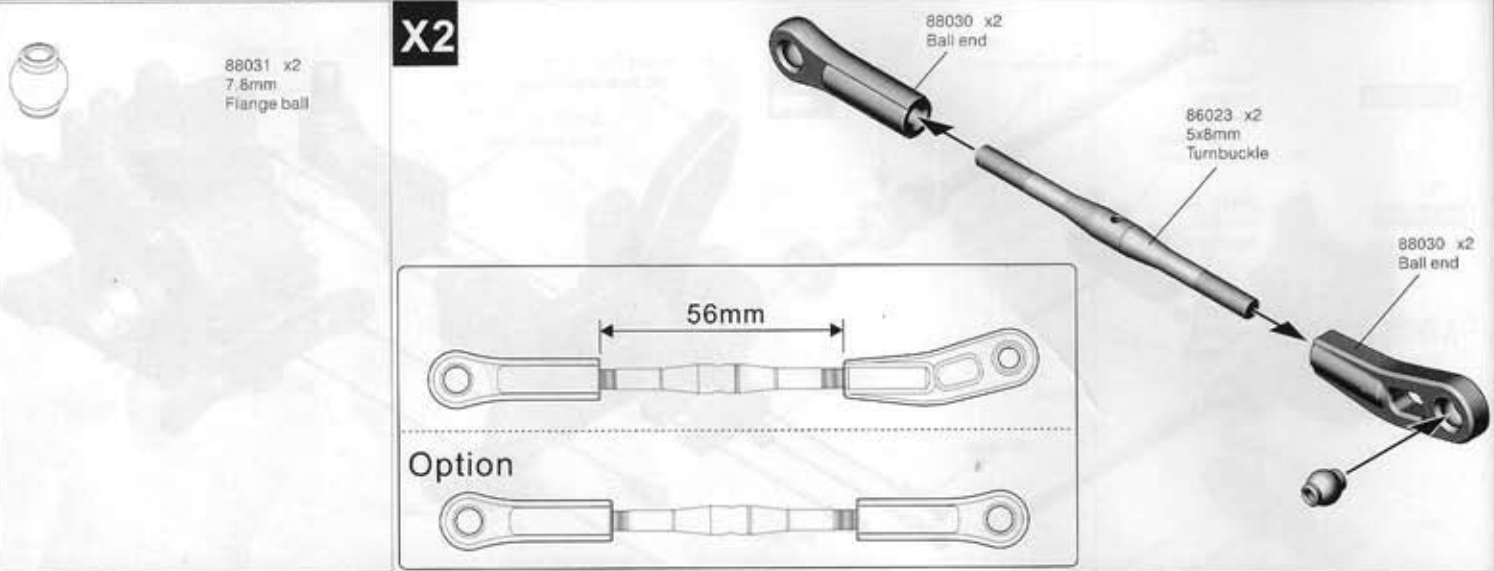
25 Assembly of Rear Gear Box onto Chassis



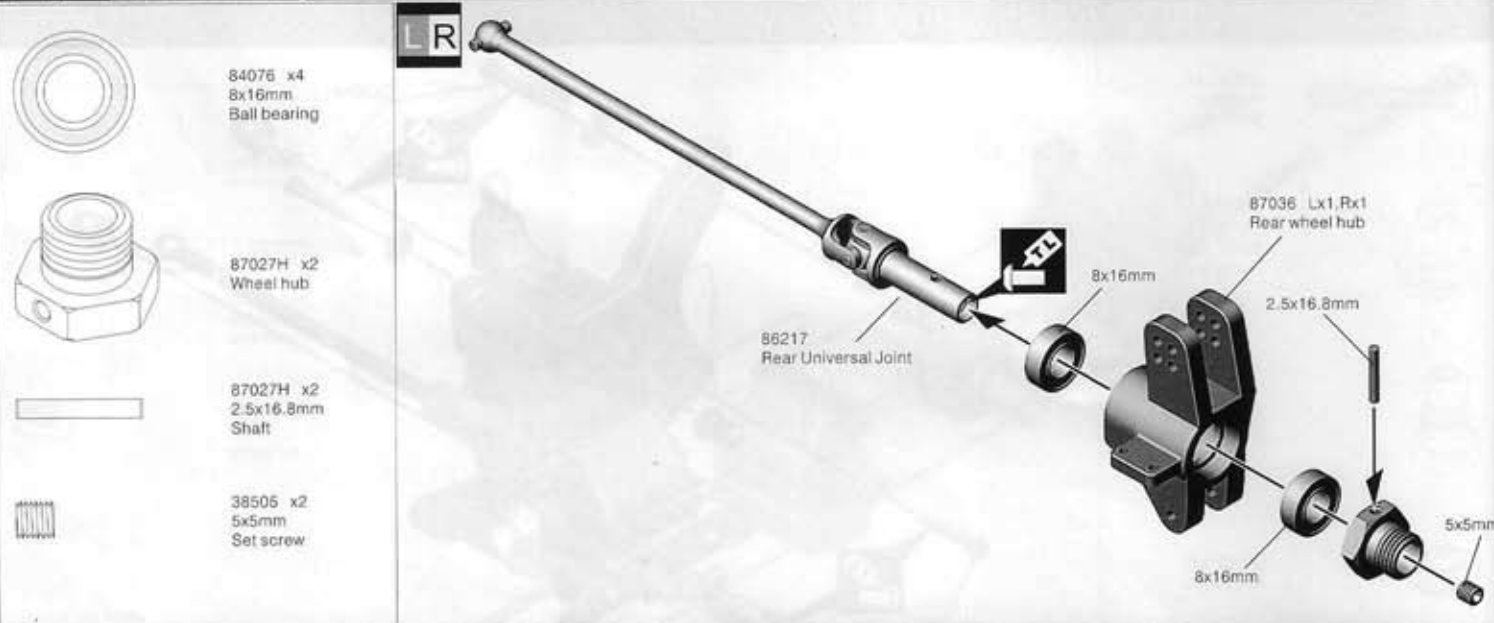
31418 x2
4x18mm
F/H screws



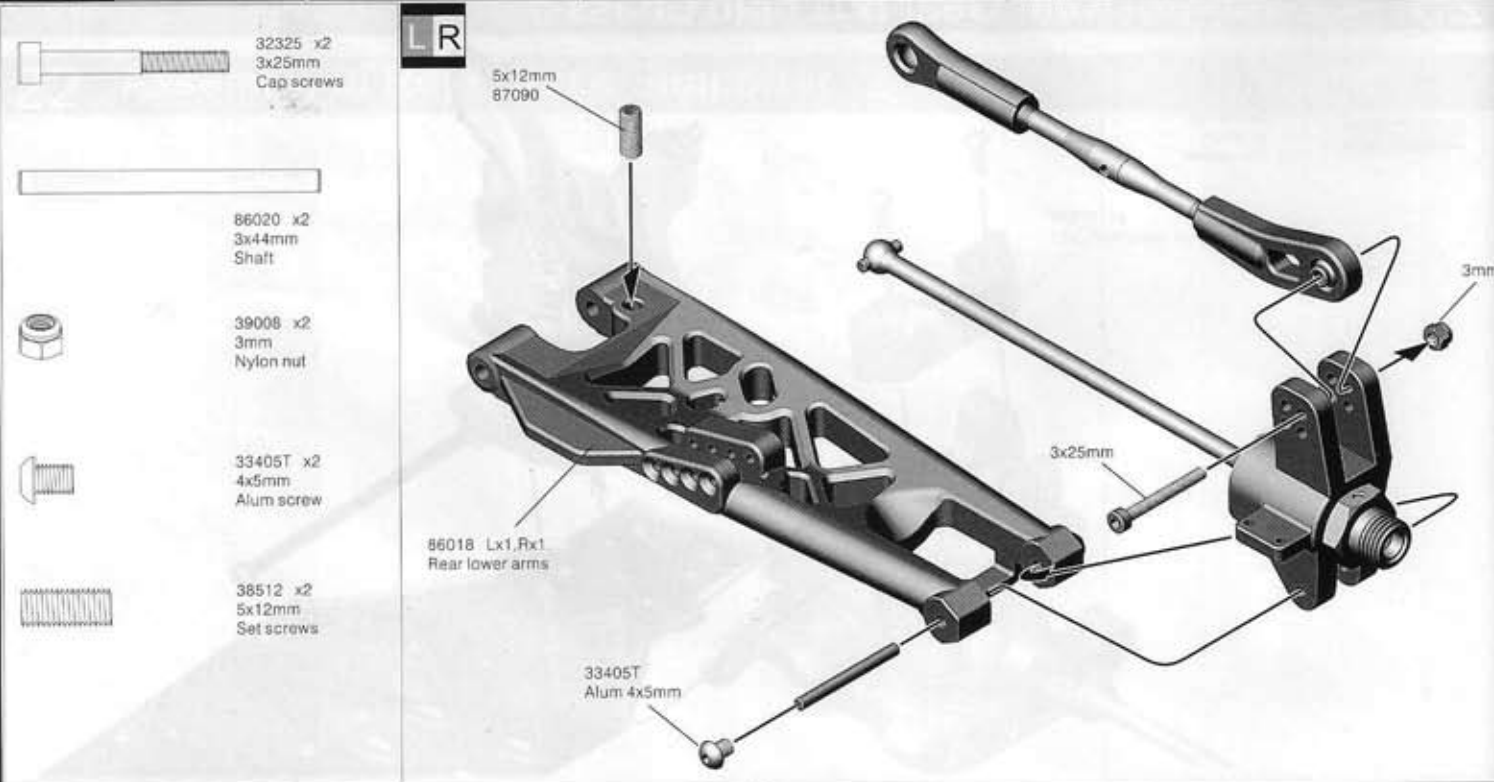
26 Assembly of Rear Upper Arms



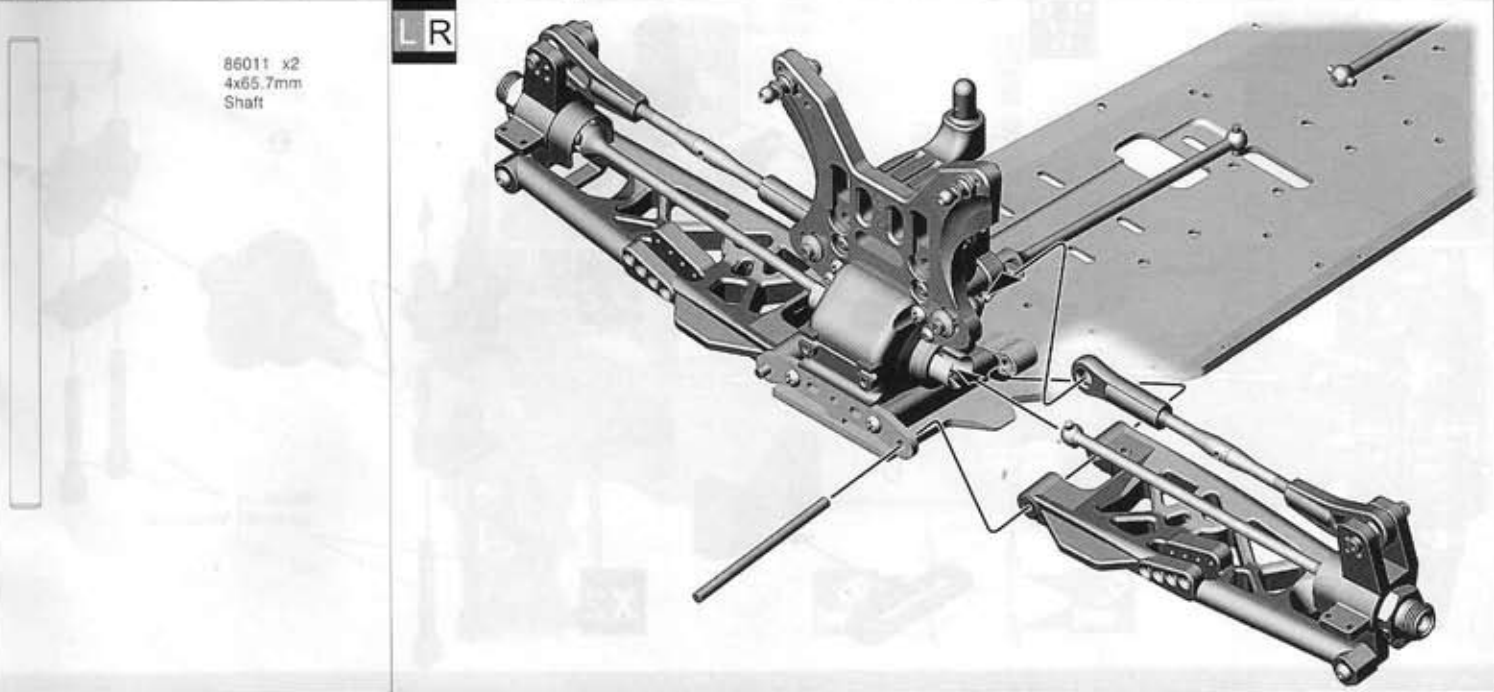
27 Assembly of Rear Universal Joint Shaft



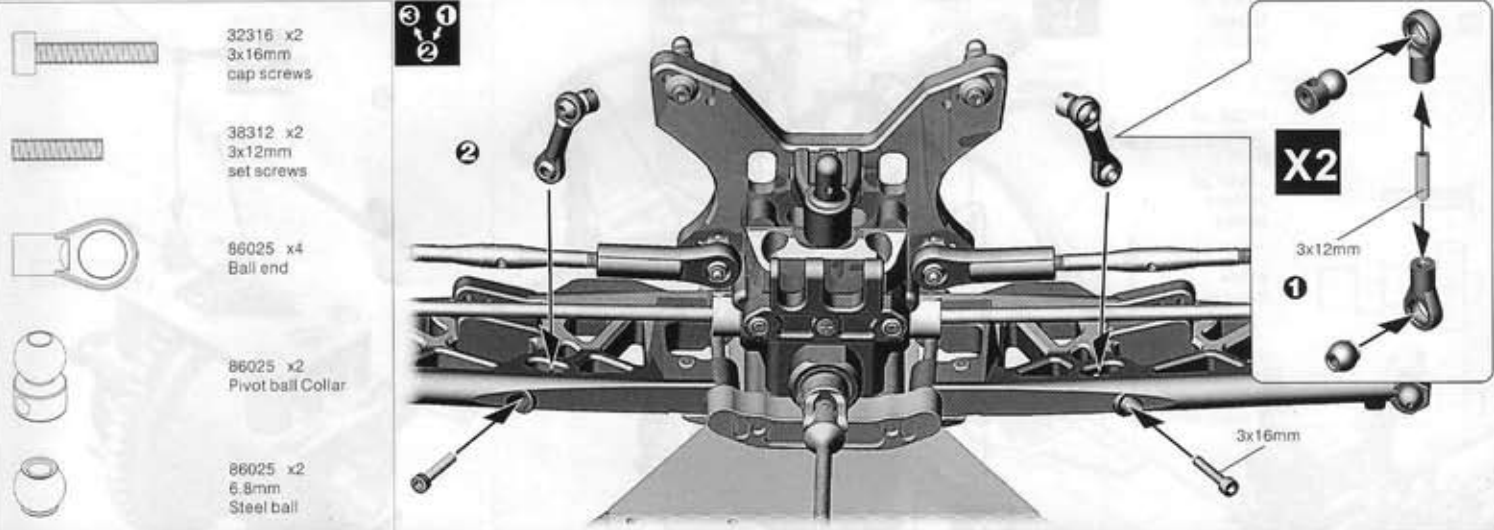
28 Assembly of Rear Suspension arms



29 Assembly of Rear Suspension arms

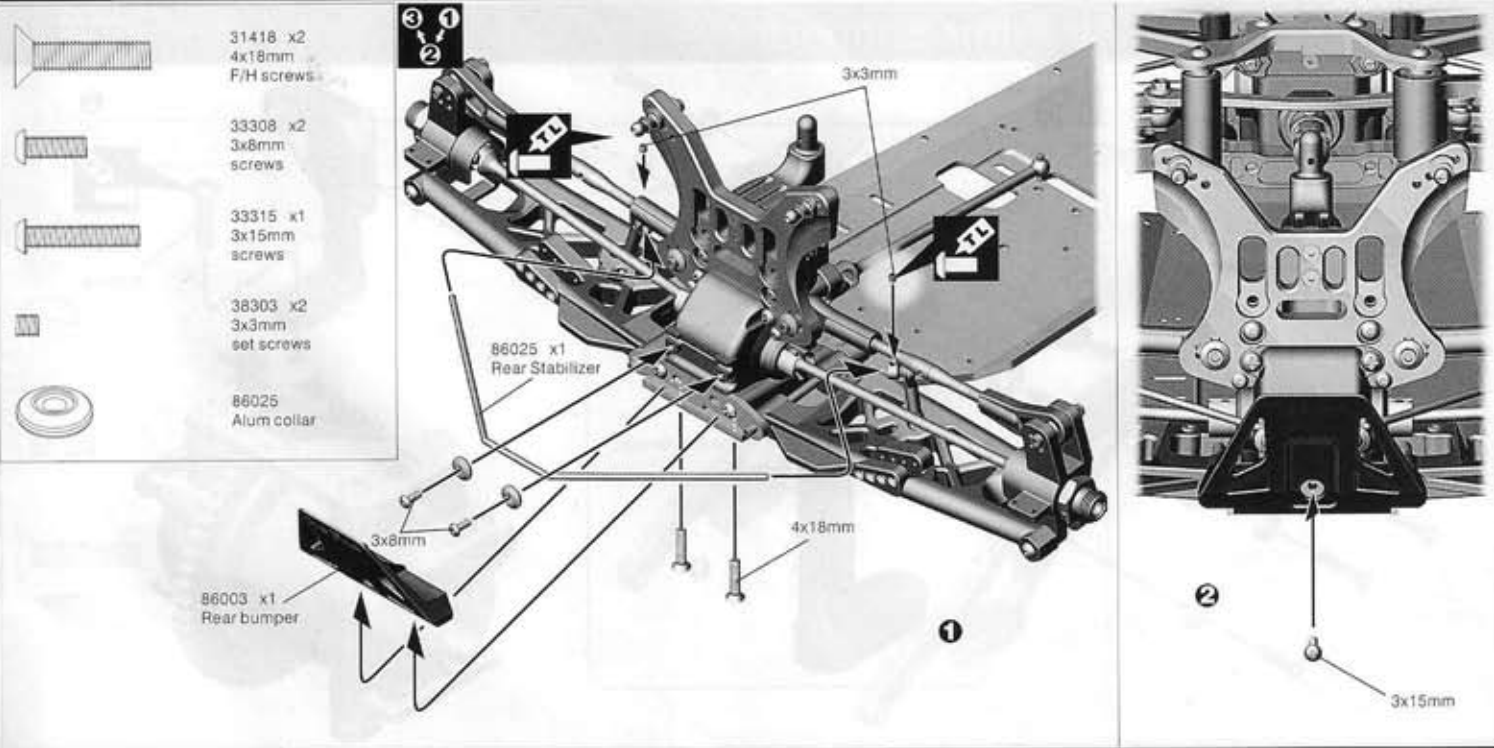


30 Assembly of Rear Stabilizer



31 Assembly of Rear Stabilizer

Assembly of Rear Bumper



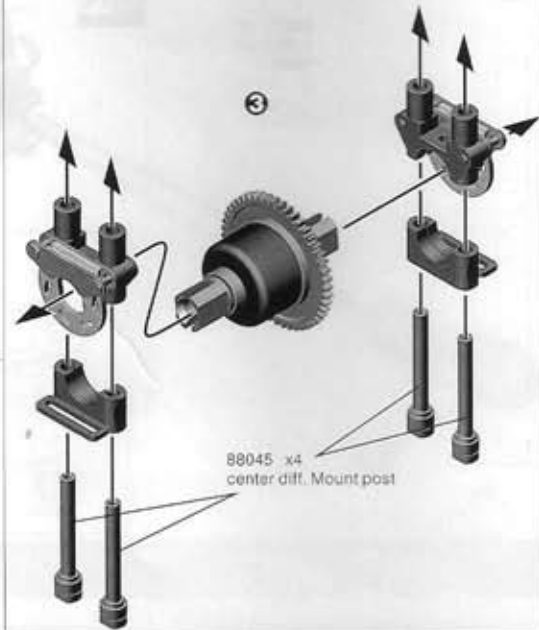
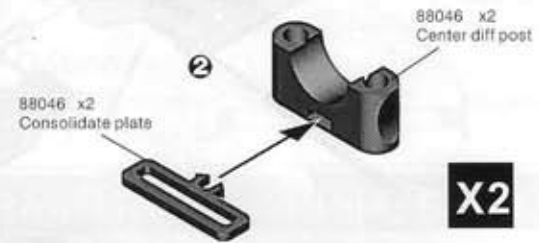
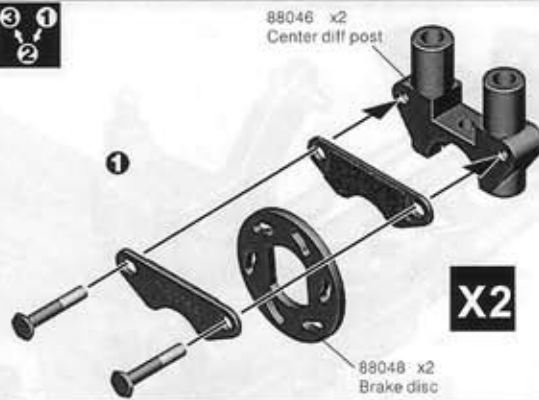
32 Assembly of The Center Gear Box

87052 x4
3x16.5mm
Hex head screw



88087 x4
Brake caliper

3
1
2

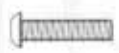


33 Assembly of Center Diff. Plate

38303 x2
3x3mm
Set screw



87054 x2
Brake rod



33312 x3
3x12mm
screws



87054
Brake cam-long

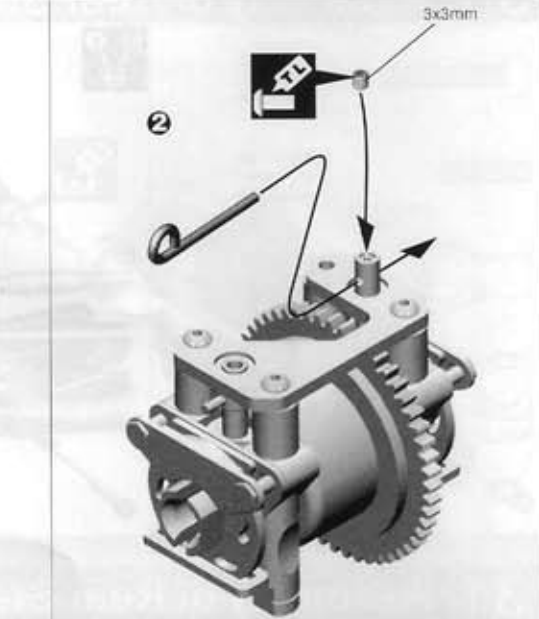
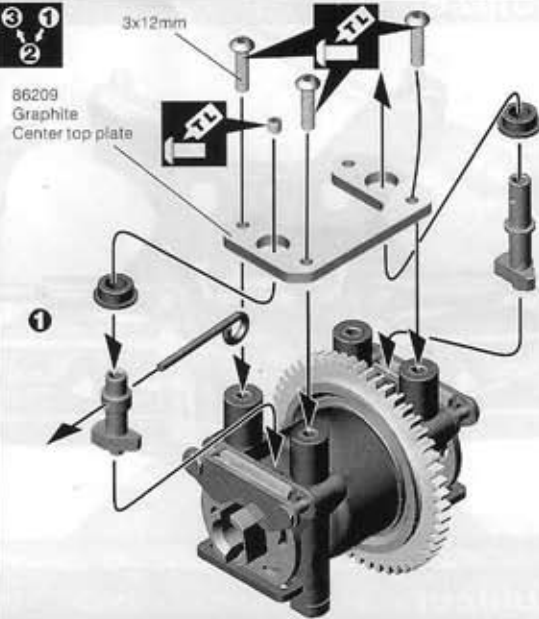


87054
Brake cam-long



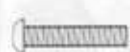
87051B
5x8
Flange Ball Bearing

3
1
2



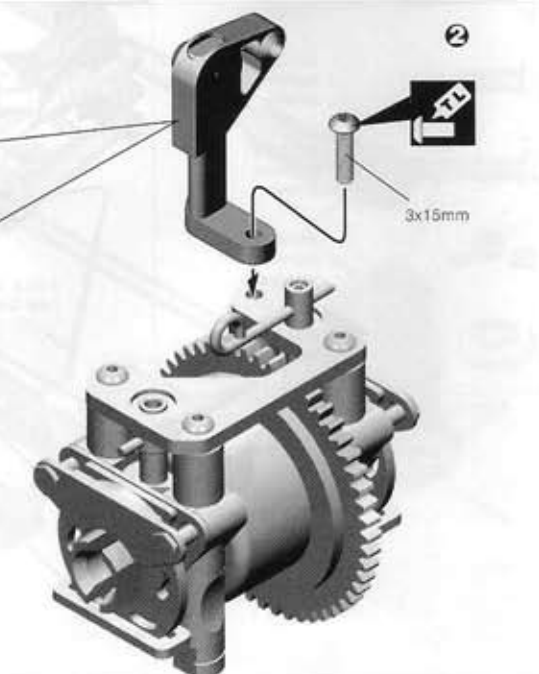
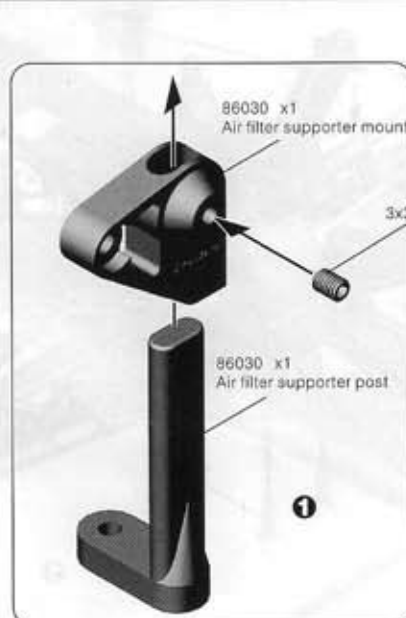
34 Assembly of Air Filter Supporter

38303 x1
3x3mm
Set screw



33315 x1
3x15mm
screws

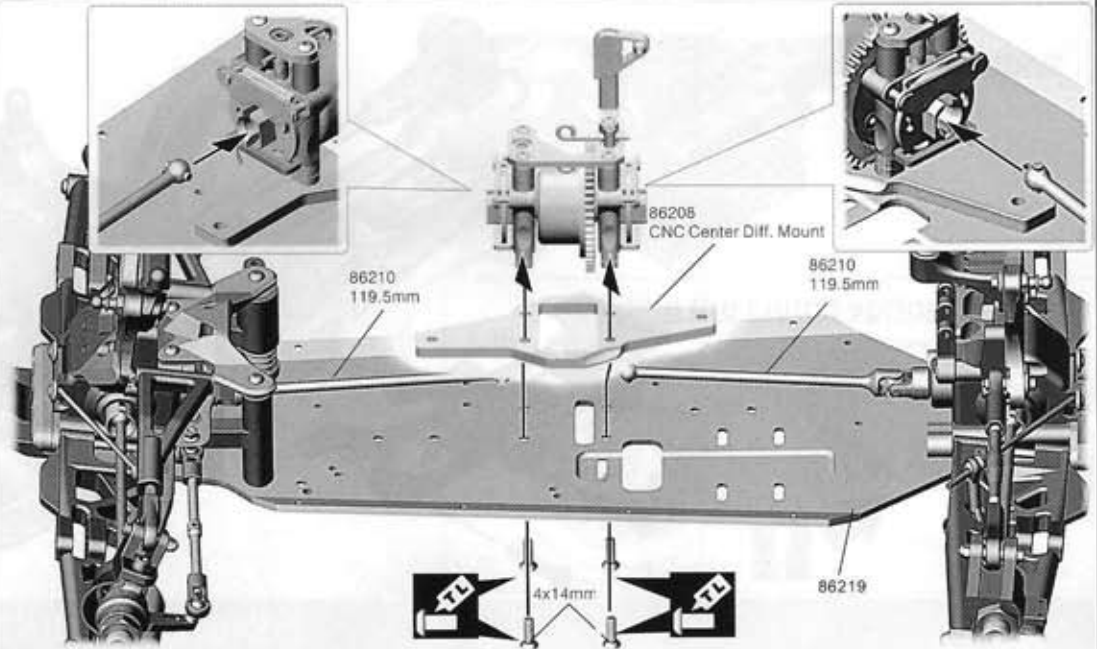
3
1
2



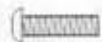
35 Assembly of the Center Gear Box onto Chassis



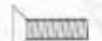
31414 x4
4x14mm
F/H screw



36 Assembly of Front Brace



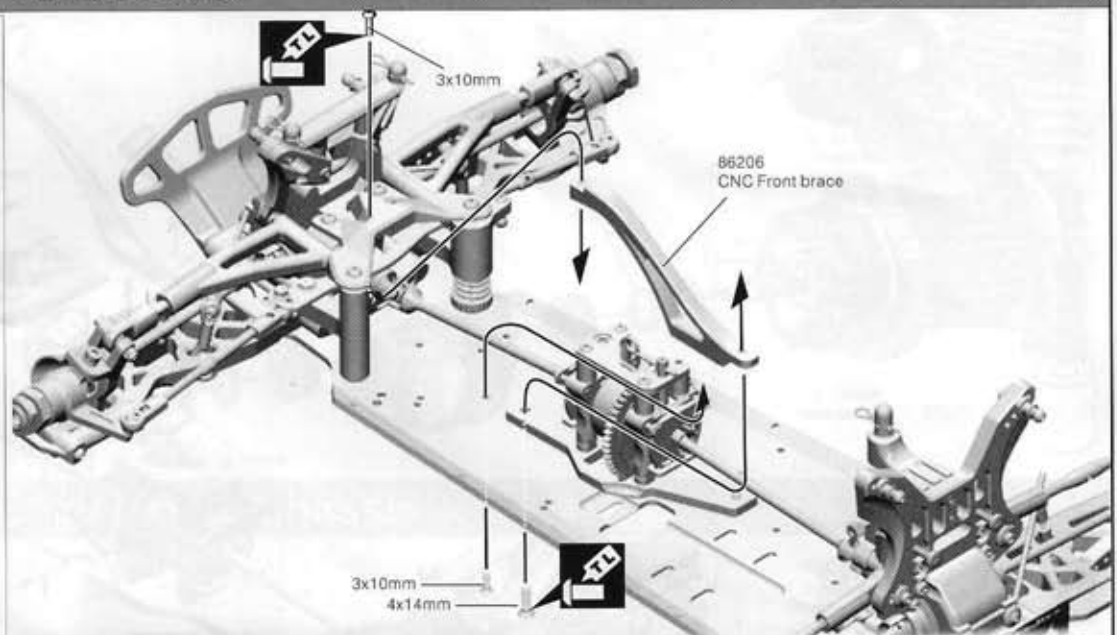
33310 x1
3x10mm
Cap screw



31310 x1
3x10mm
F/H screw



31414 x1
4x14mm
F/H screw



37 Assembly of Wing Stay



86213
Alu. wing support



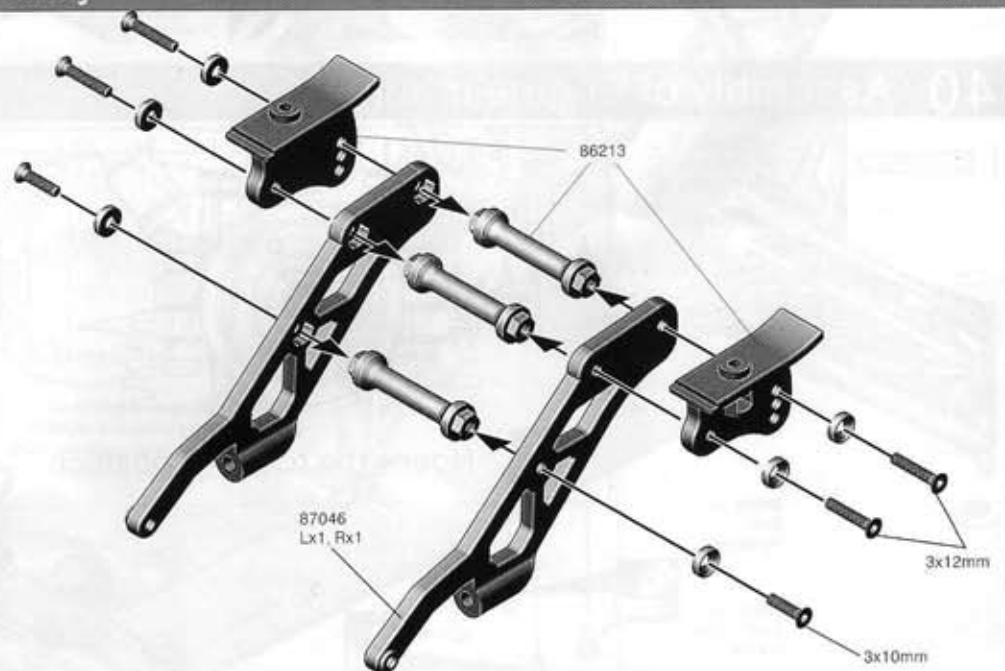
224210
CNC 3mm washer



31310 x2
3x10mm
F/H screw



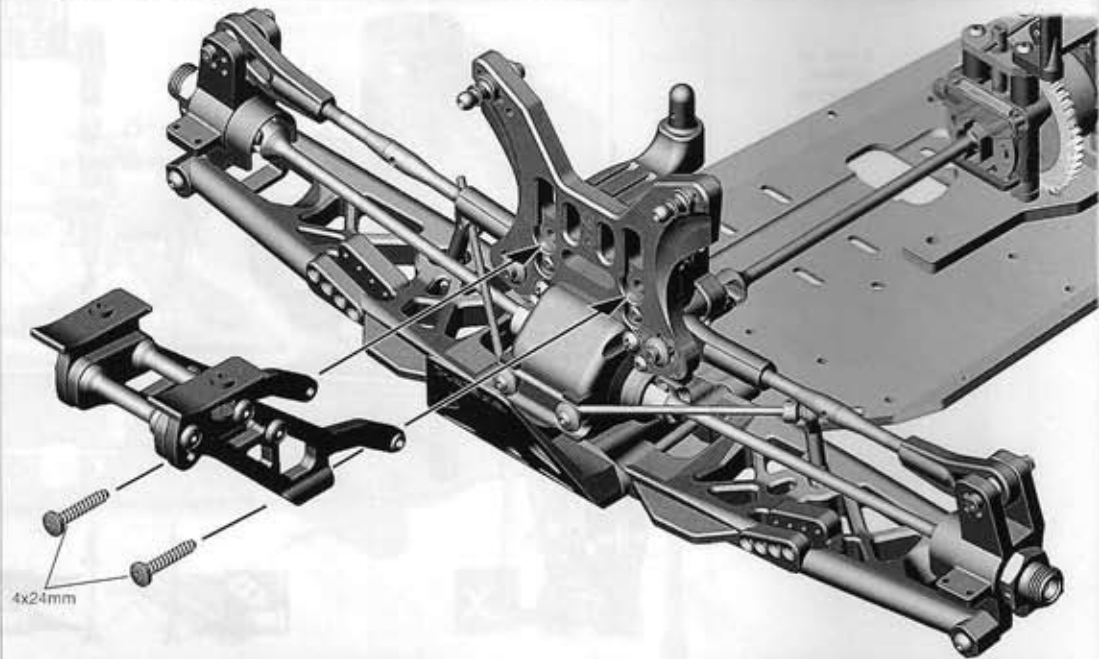
31312 x4
3x12mm
F/H screw



38 Assembly of Wing Stay



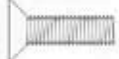
33424T x2
4x24mm
Tapping screw



39 Assembly of Rear Brace



31310 x1
3x10mm
F/H screw



31414 x1
4x14mm
F/H screw



86057 x1
51.2mm
Shaft



86057 x1
Alu spacer



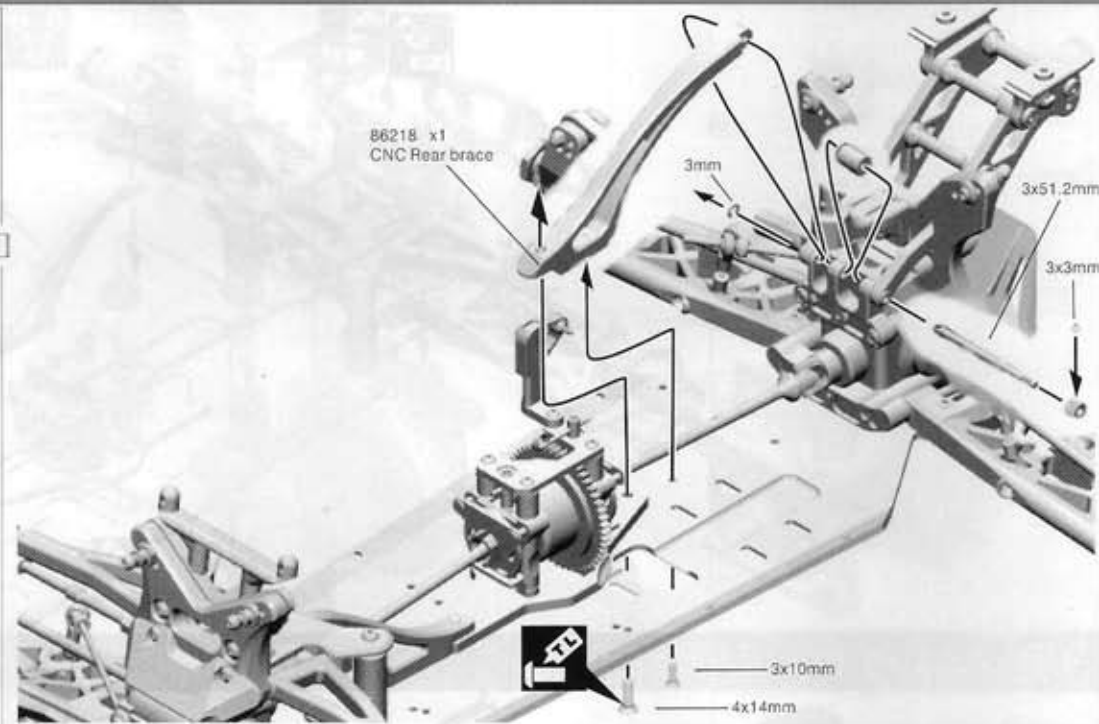
38303 x1
3x3mm
Set screw



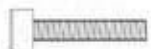
86057 x1
Stopper



86057 x1
3mm
E-Clips



40 Assembly of Engine mount



32315 x4
3x15mm
Cap screws



86041 x4
Engine mount gasket



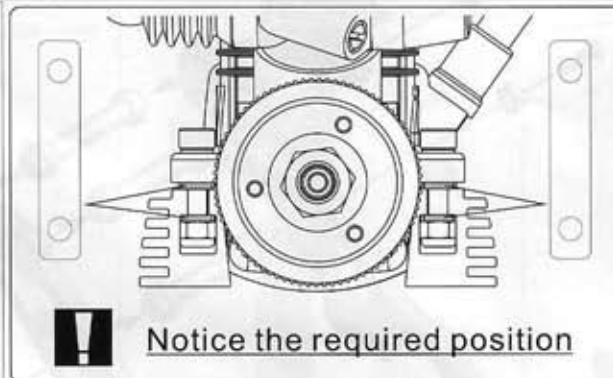
88226
Collar



39008 x4
3mm
Nylon nut



86041 x4
3.2x5x0.8mm
Washer



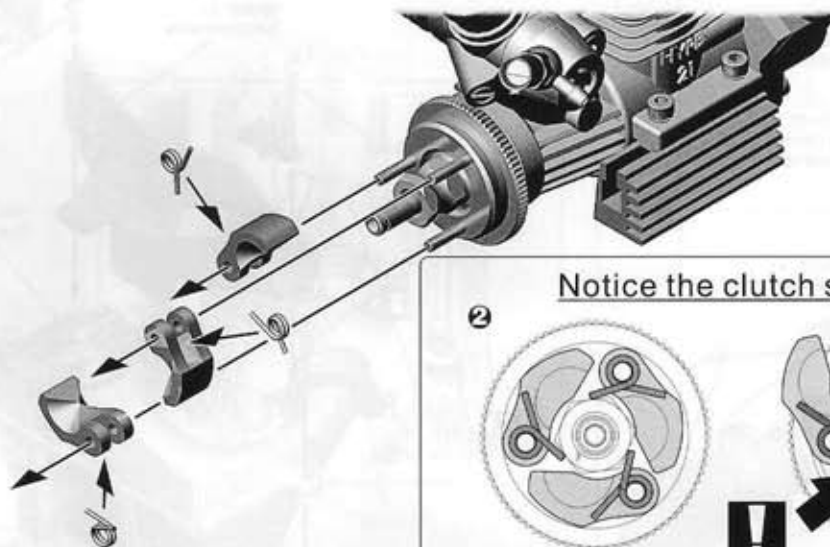
41 Assembly of Clutch-Step-1



86121
CNC New Clutch shoe



86122
Clutch spring



Notice the clutch spring

2

1

88226

42 Assembly of Clutch-Step-2



32308 x1
3x8mm
Cap screws



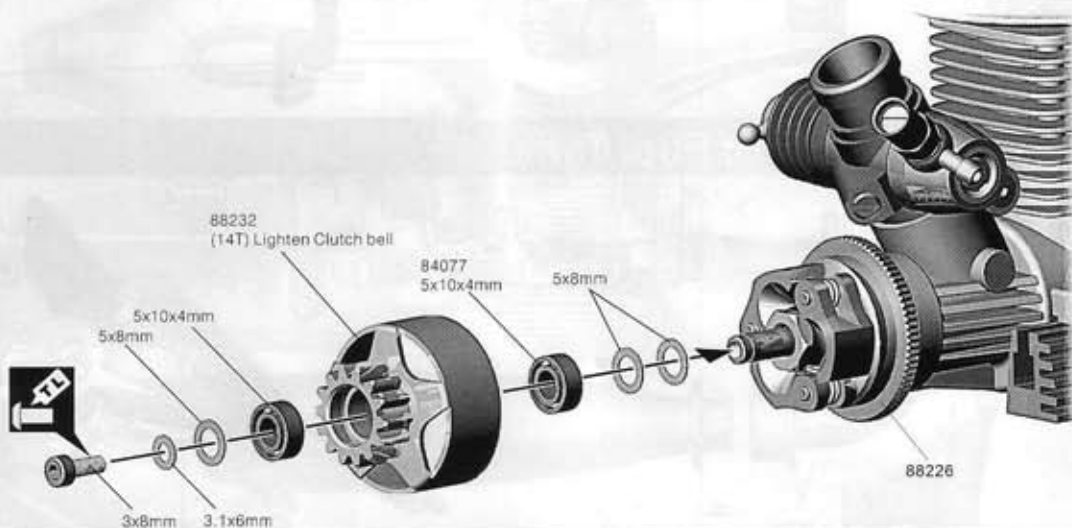
84187W x1
3.1x6mm
Washer



84187W x2
5x8mm
Washer



84077
5x10x4mm
Bearing



88232
(14T) Lighten Clutch bell

84077
5x10x4mm

5x8mm

5x10x4mm

5x8mm

3x8mm

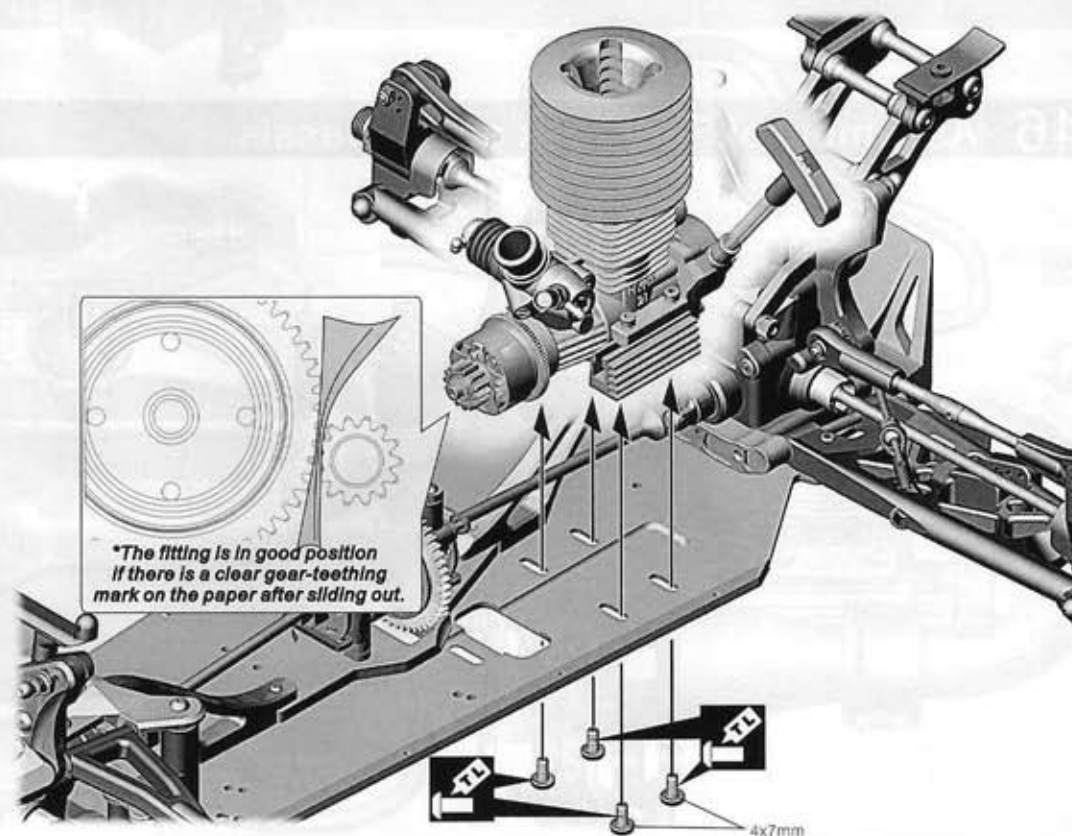
3.1x6mm

88226

43 Assembly of Engine onto Chassis



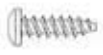
33407 x4
4x7mm
Engine screw



*The fitting is in good position
if there is a clear gear-teething
mark on the paper after sliding out.

4x7mm

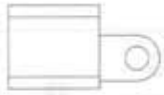
44 Assembly of Fuel Tank



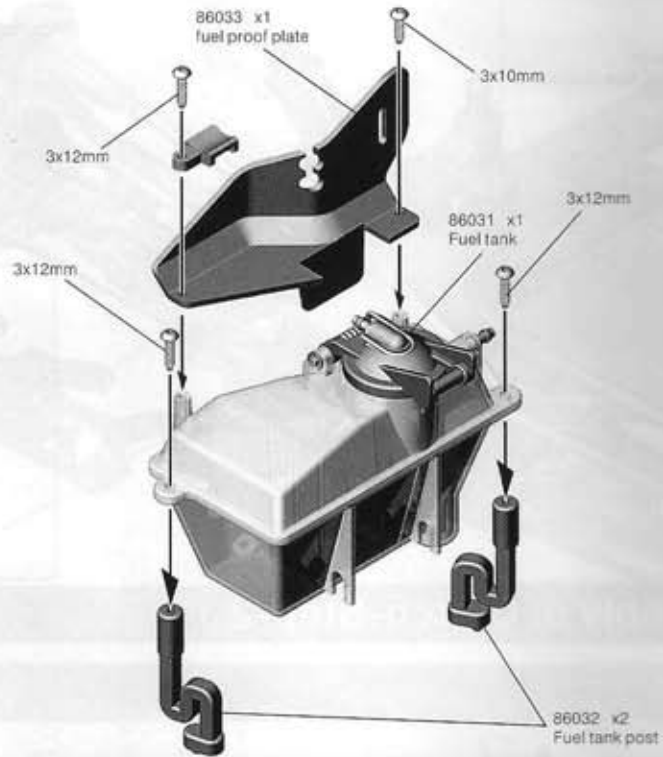
33310T x1
3x10mm
Tapping screw



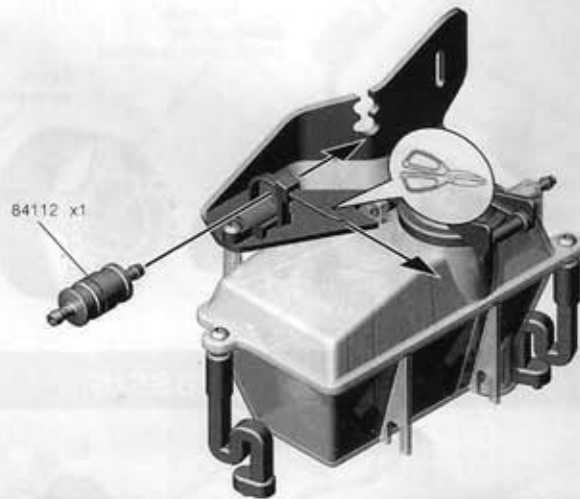
33312T x3
3x12mm
Tapping screw



86033 x1
Fuel filter holder



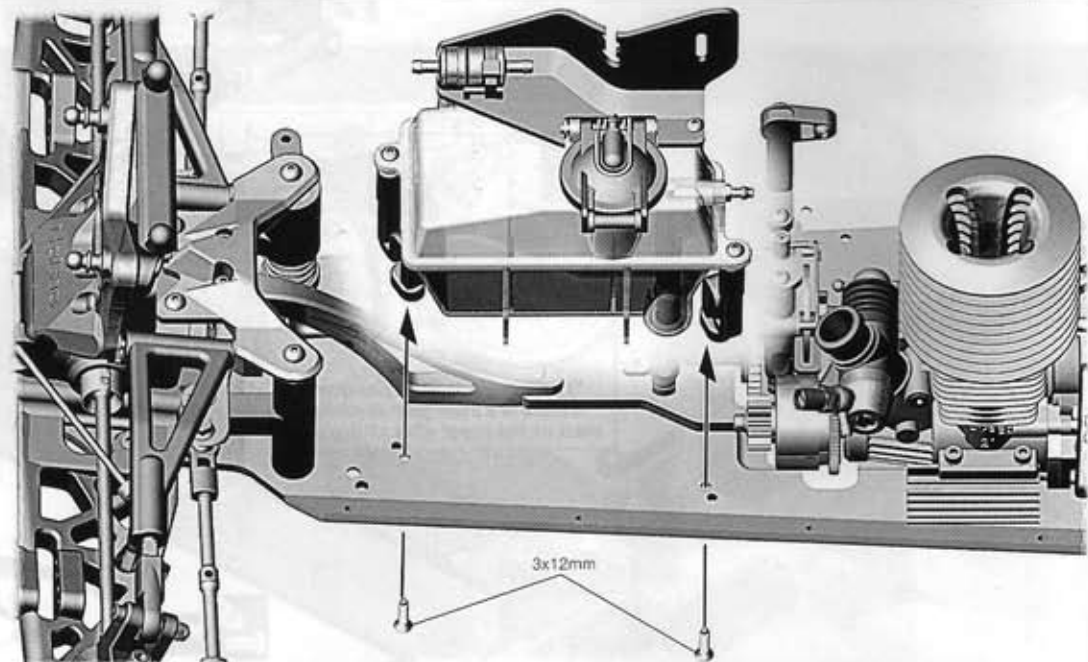
45 Assembly of Fuel Tank



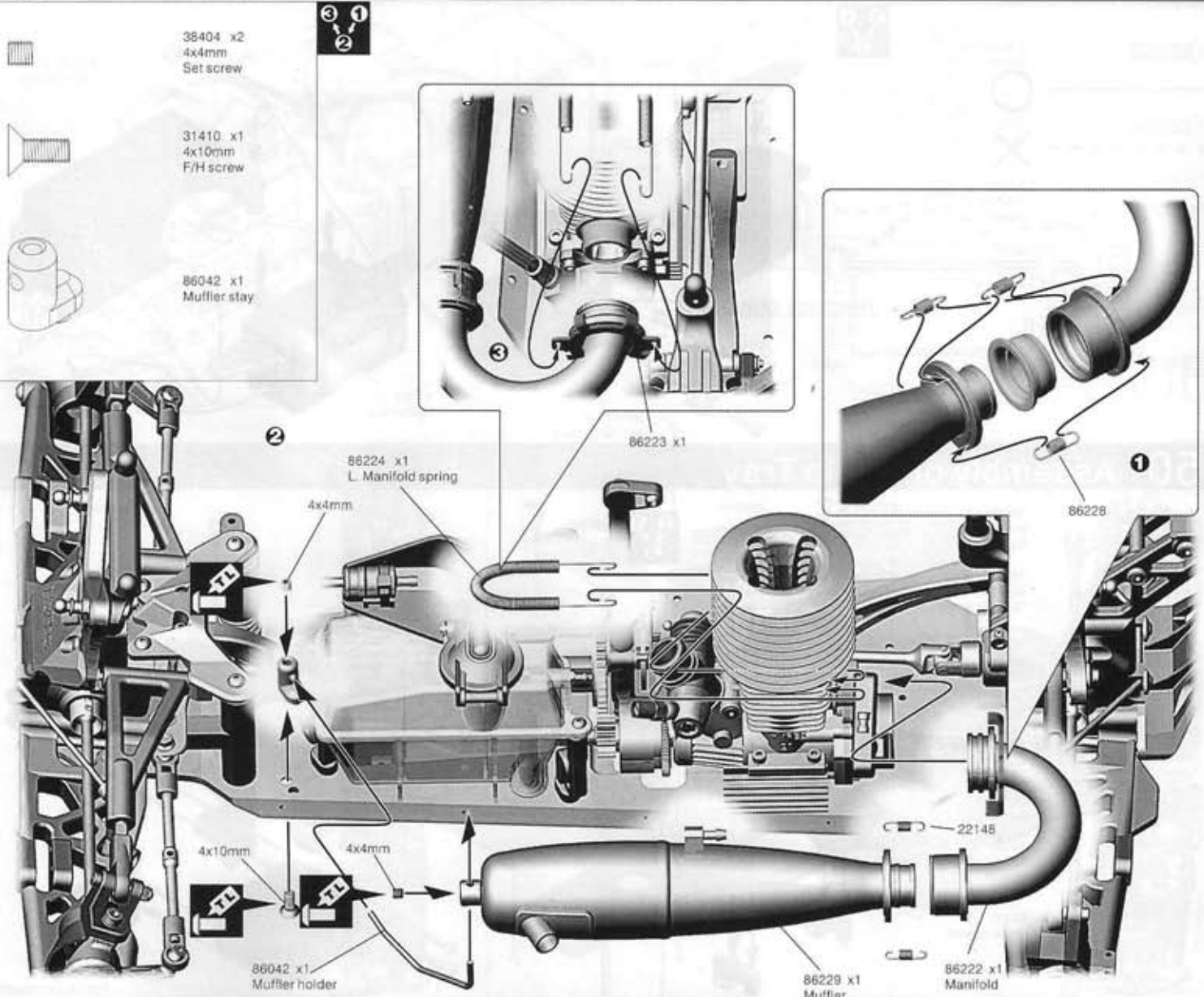
46 Assembly of Fuel Tank onto Chassis



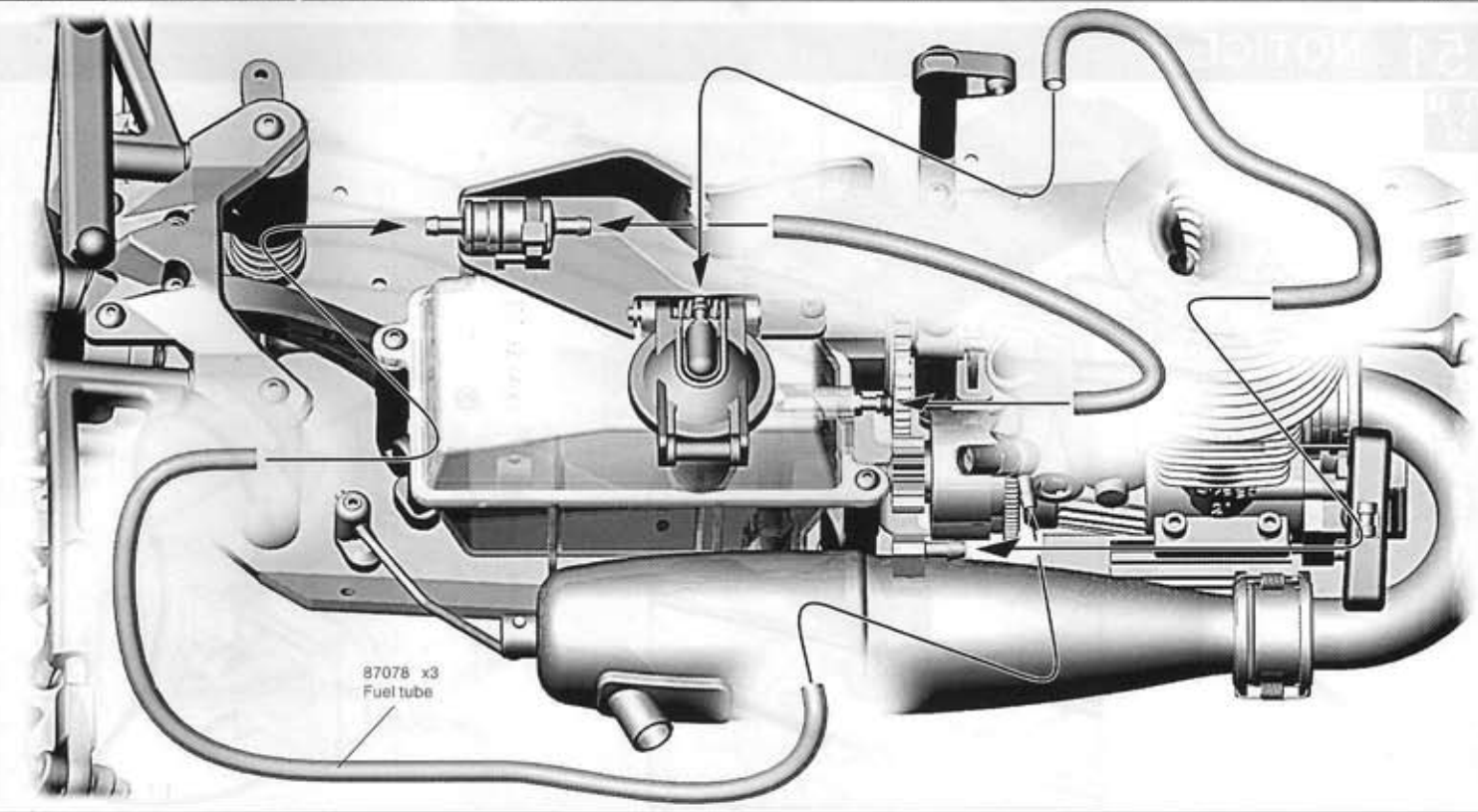
31312T x2
3x12mm
Tapping screw



47 Assembly of Manifold and Muffler



48 Assembly of Fuel Tube



49 Equipment



2.8x10mm screw

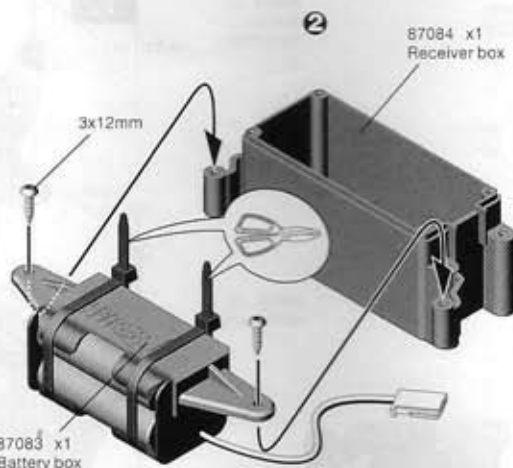
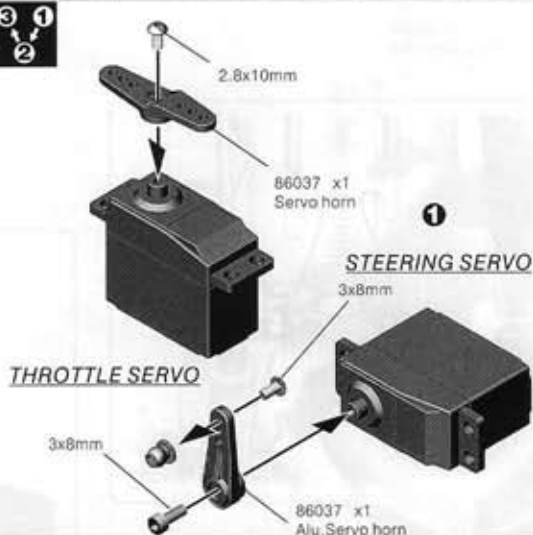


33312T x2
3x12mm screw

32308 x1
3x8mm screw



86010 x1
Ball end



50 Assembly of Radio Tray



39008 x3
3mm Nylon nut



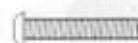
33310T x4
3x10mm Tapping screw



33312T x4
3x12mm Tapping screw



33320T x4
3x20mm Tapping screw



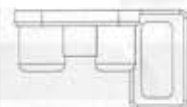
33315 x3
3x15mm screw



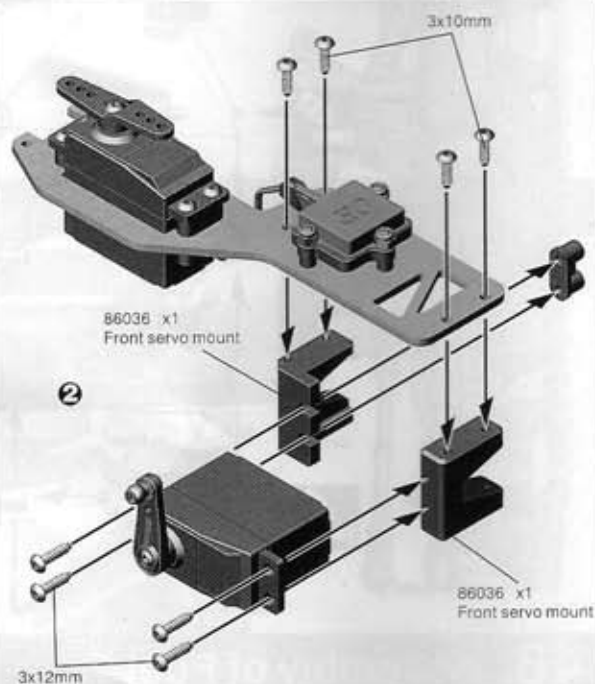
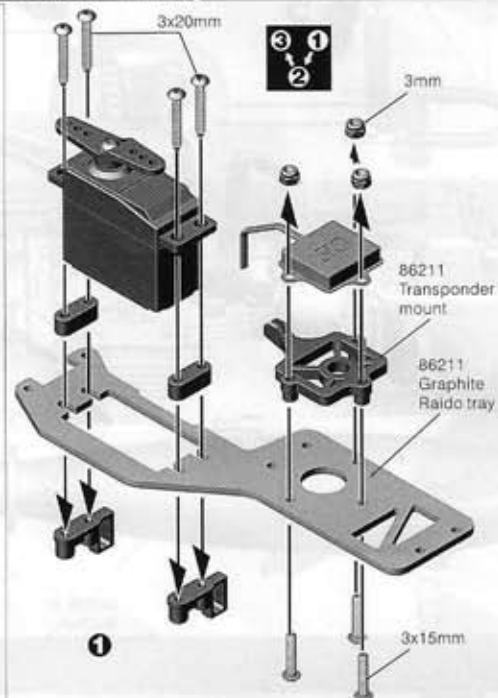
86036 x2
8mm gasket



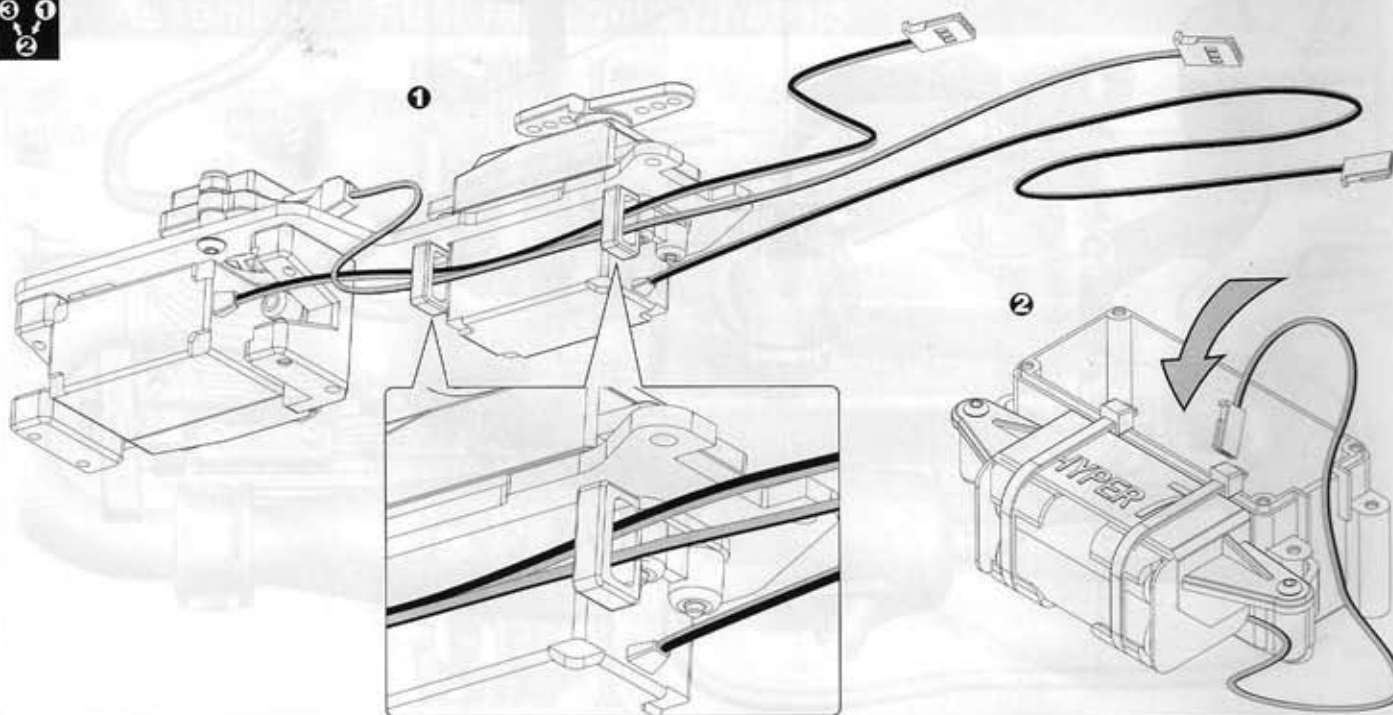
86036 x1
Servo gasket



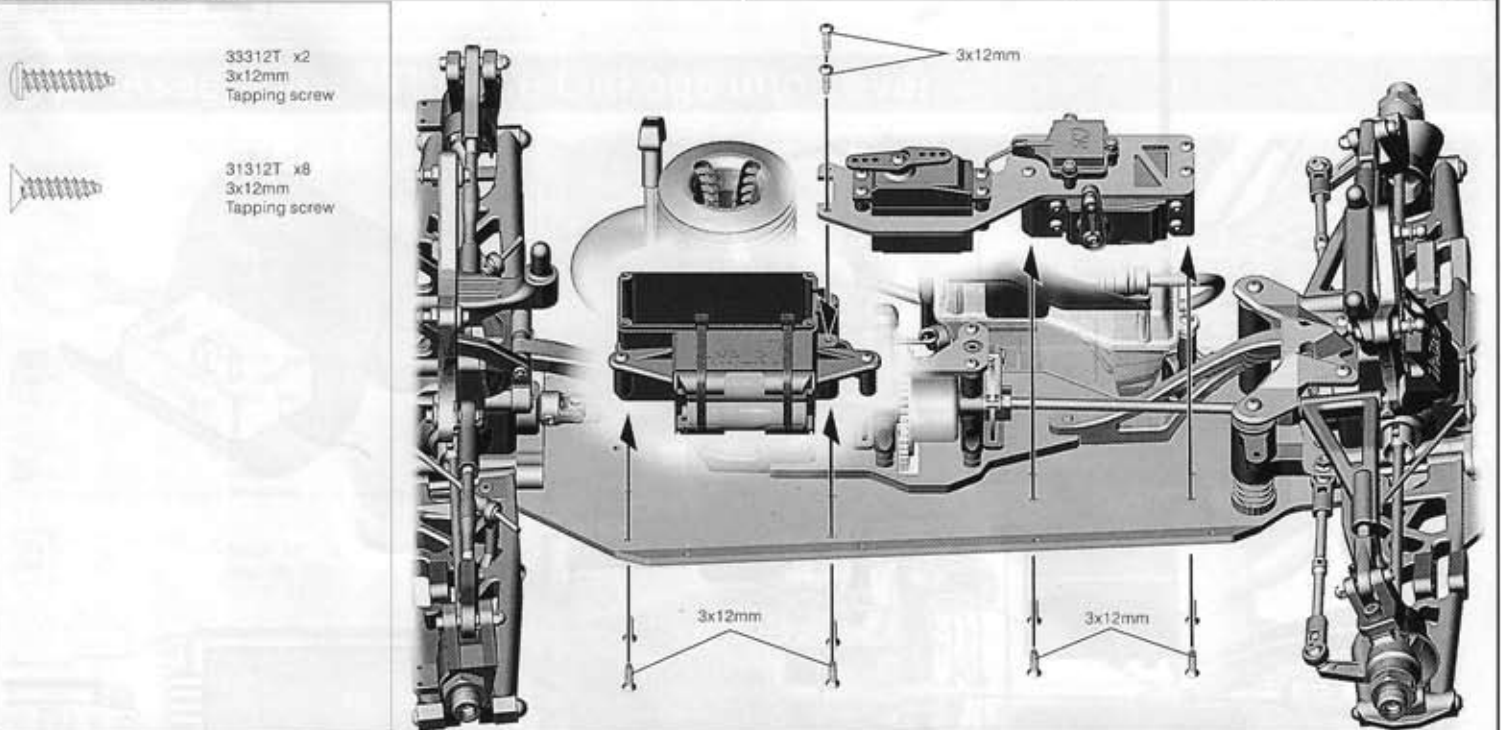
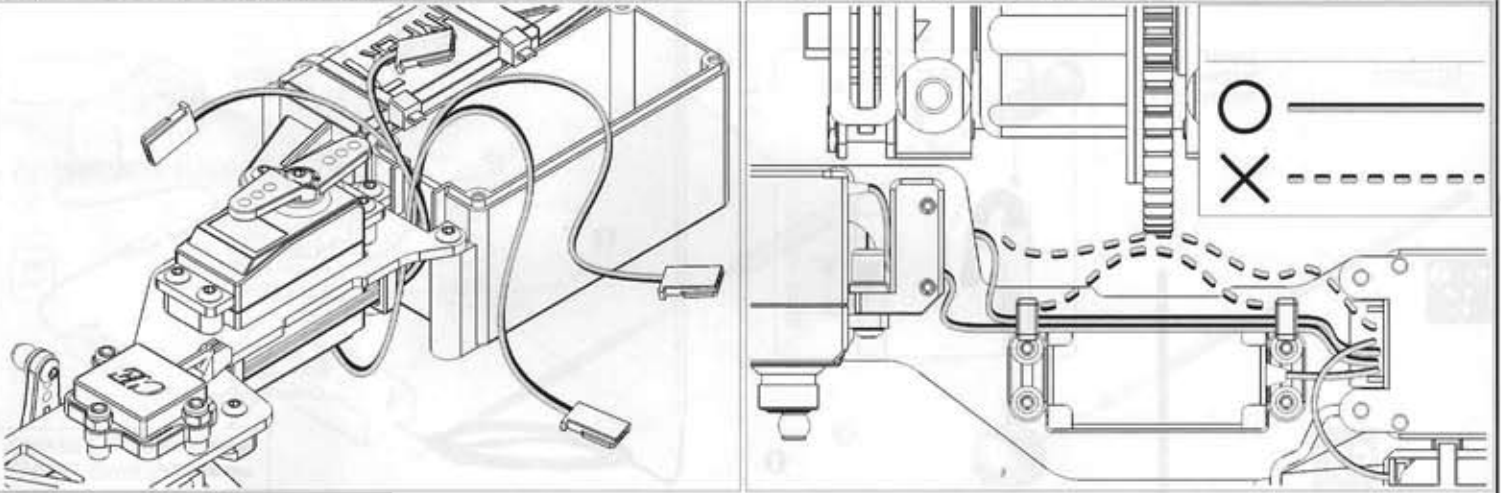
86036 x2
Servo gasket



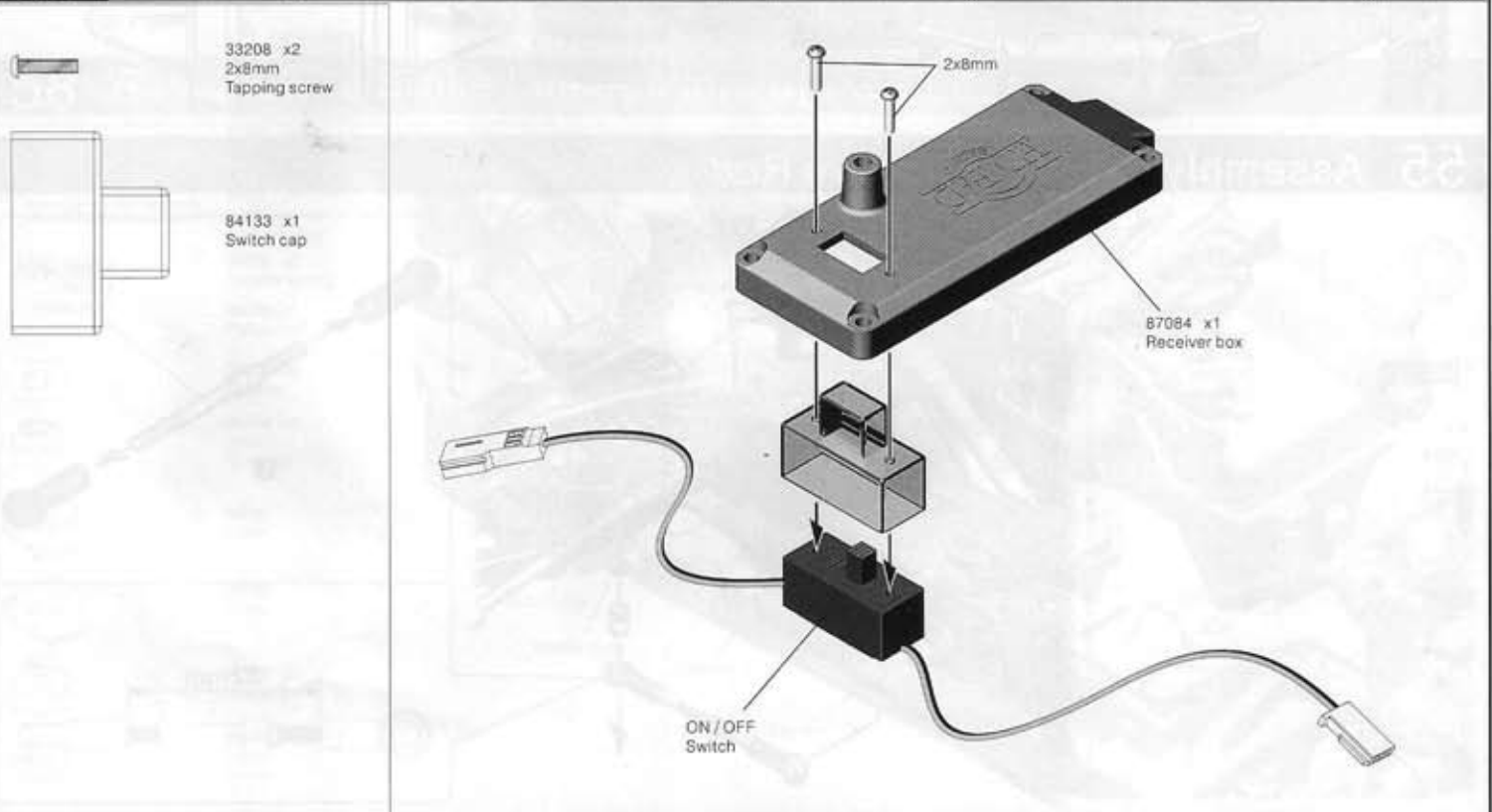
51 NOTICE



52 Assembly of Radio Tray and Receiver box onto Chassis



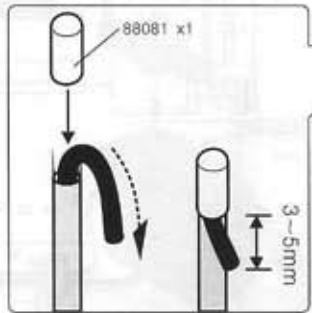
53 Assembly of Switch into Receiver Box



54 Assembly of Receiver box

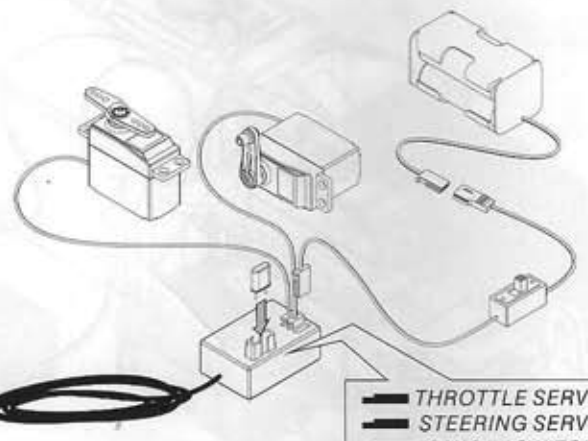


33312T x4
3x12mm
Tapping screw



3
2
1

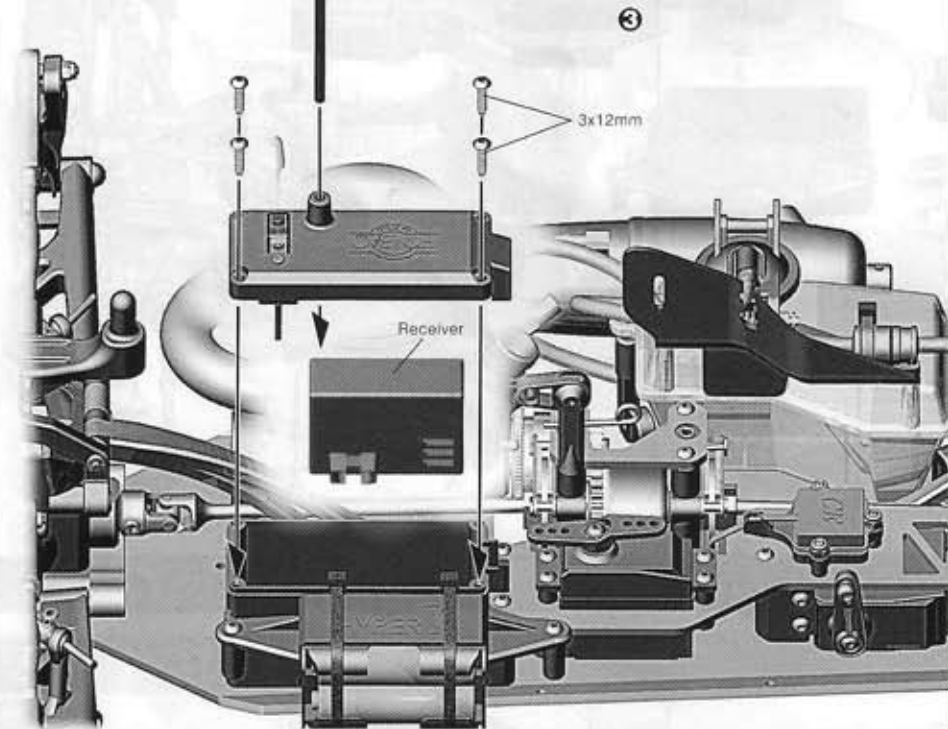
1



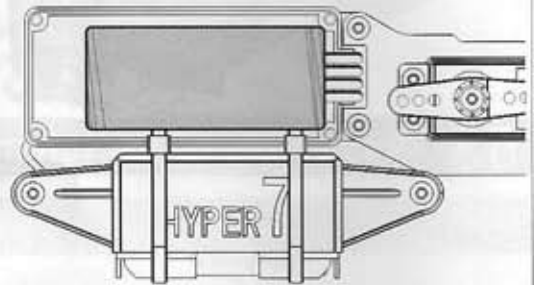
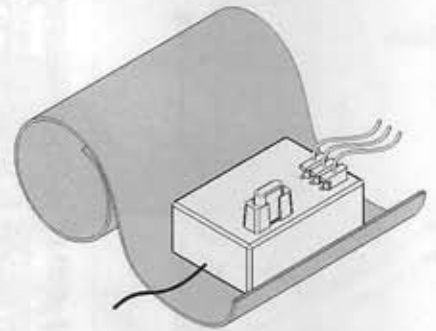
THROTTLE SERVO
STEERING SERVO
ON/OFF SWITCH

55

Assembly of Steering servo Rod



2



55 Assembly of Steering servo Rod



86010 x2
Ball end



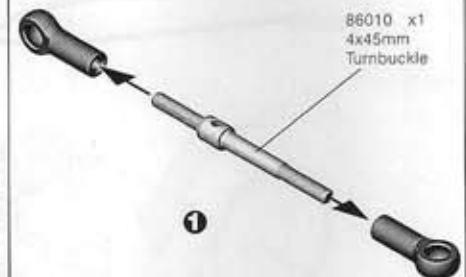
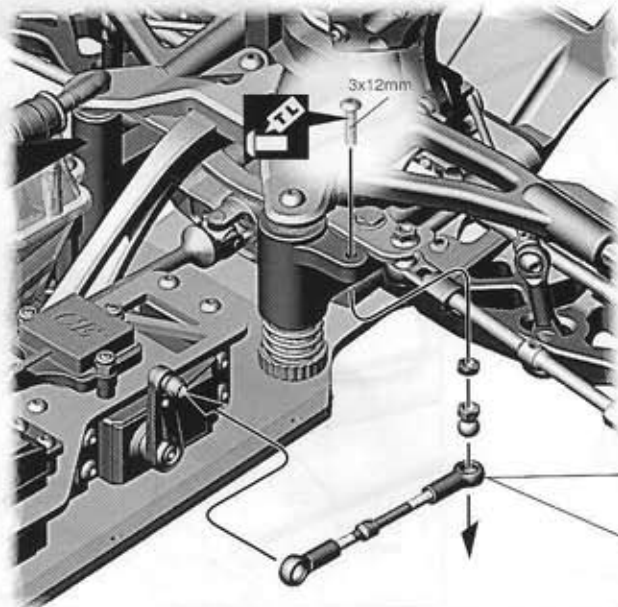
33312 x1
3x12mm
F/H screw



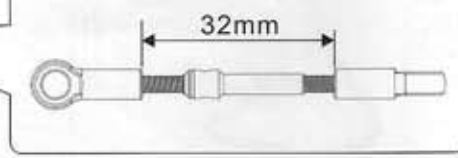
86010 x1
Ball end



86017 x1



1



56 Assembly of Throttle Linkage and Brake Linkages



86038 x1
Throttle ball end



86038 x1
Throttle spring

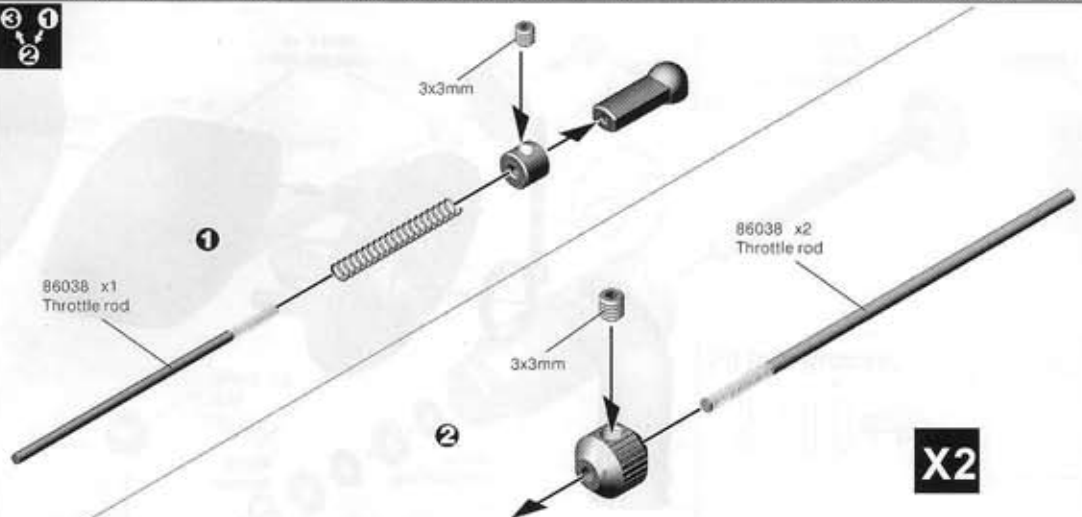


86038 x1
Stopper



38303 x3
3x3mm
Set screw

3
1
2



57 Assembly of Throttle Linkage into Lever



31312 x1
3x12mm
TP/FH screw



86038 x1
Collar



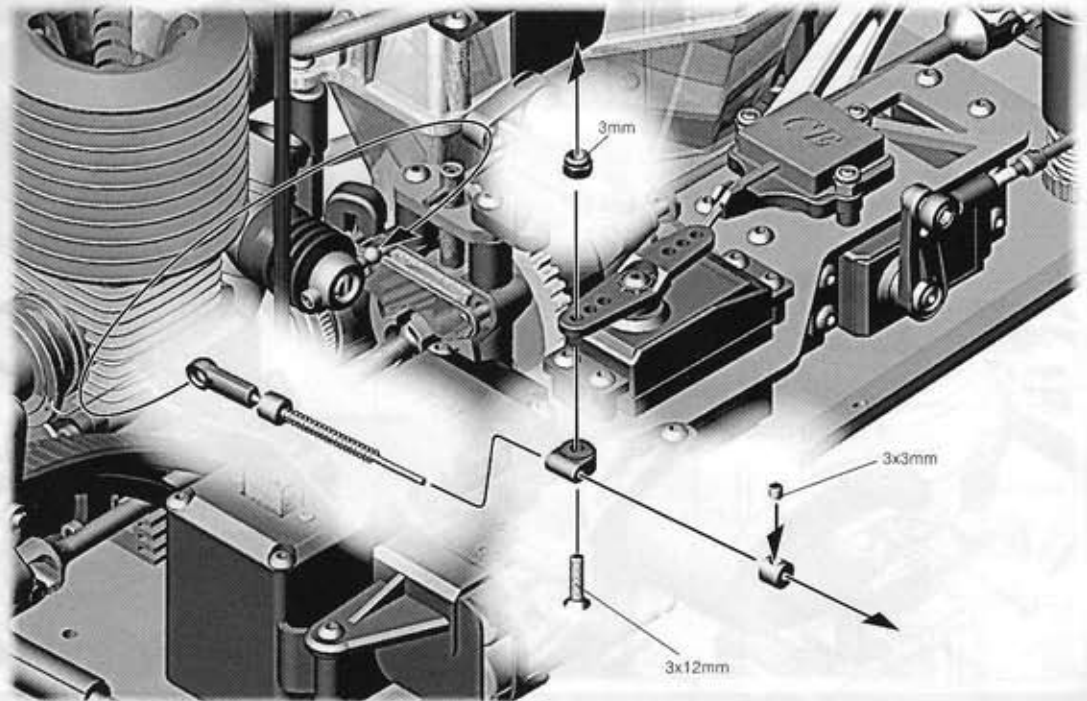
39008 x1
3mm
Nylon nut



38303 x1
3x3mm
Set screw



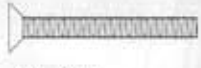
86038 x1
Stopper



58 Assembly of Brake Linkage into Brake Lever



38303 x2
3x3mm
Set screw



31325 x1
3x25mm
TP/ FH screw



86038 x2
Throttle spring



86038 x2
Plastic ball



86038 x2
Stopper



39008 x1
3mm
Nylon nut



88059
Collar



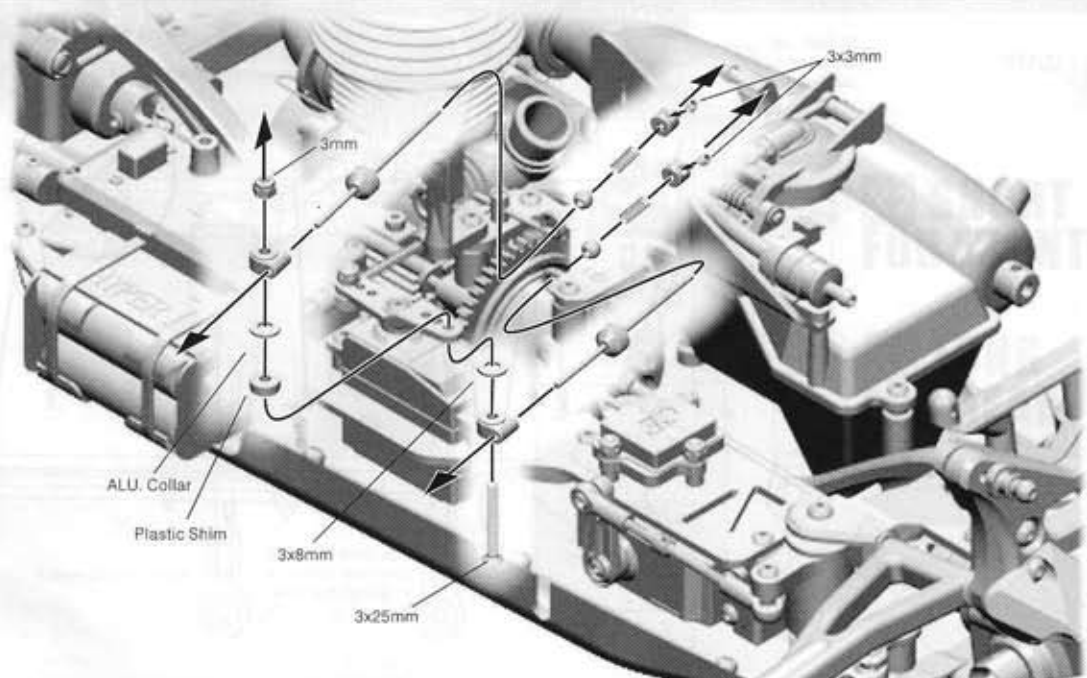
88059
Collar



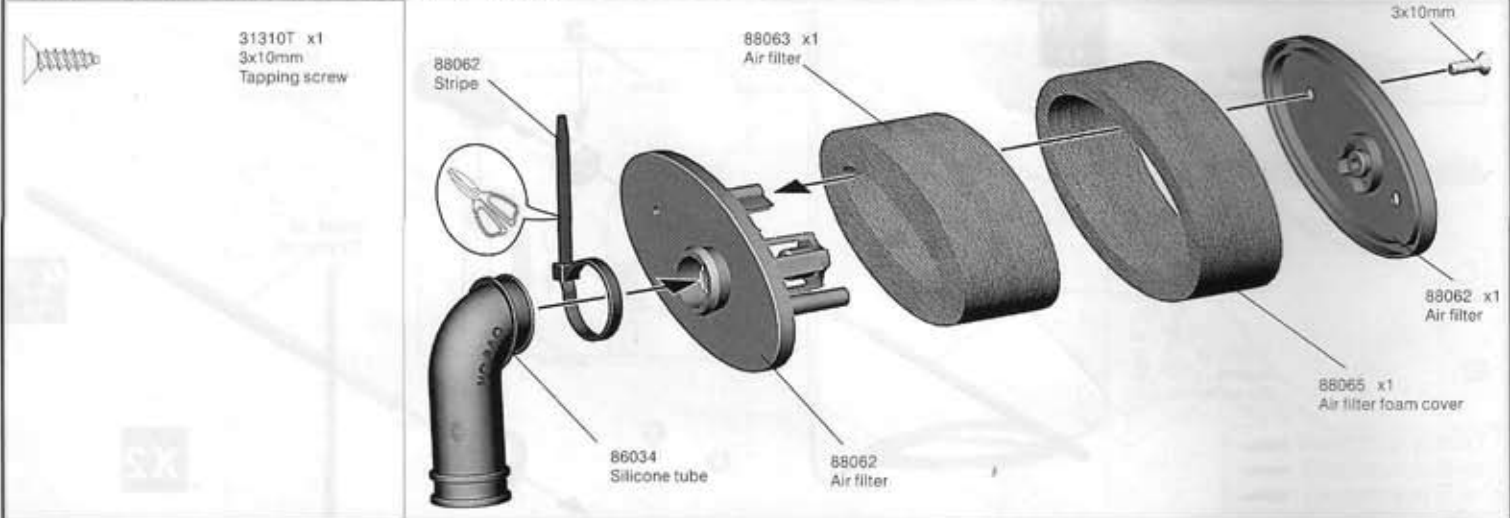
88059 x2
Plastic Shim



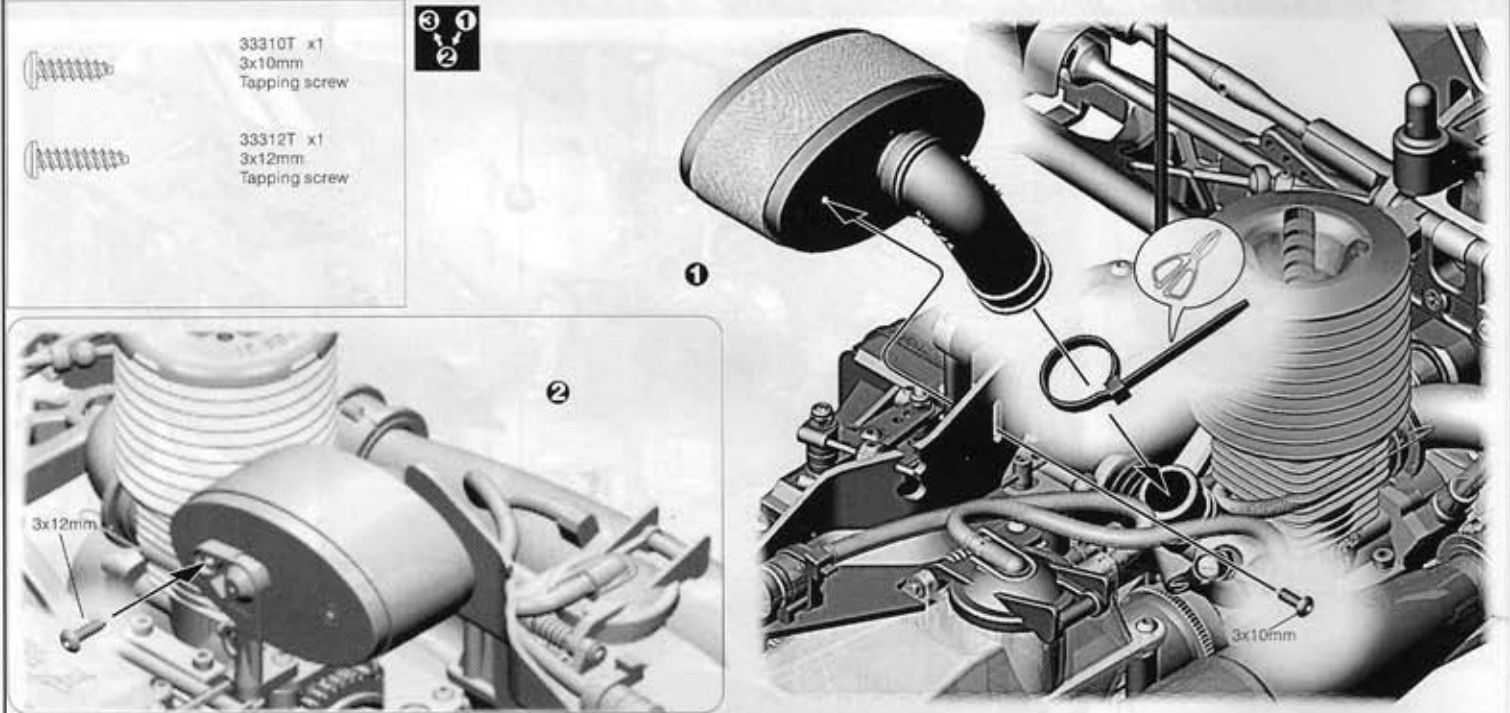
88059 x1
3x8mm
washer



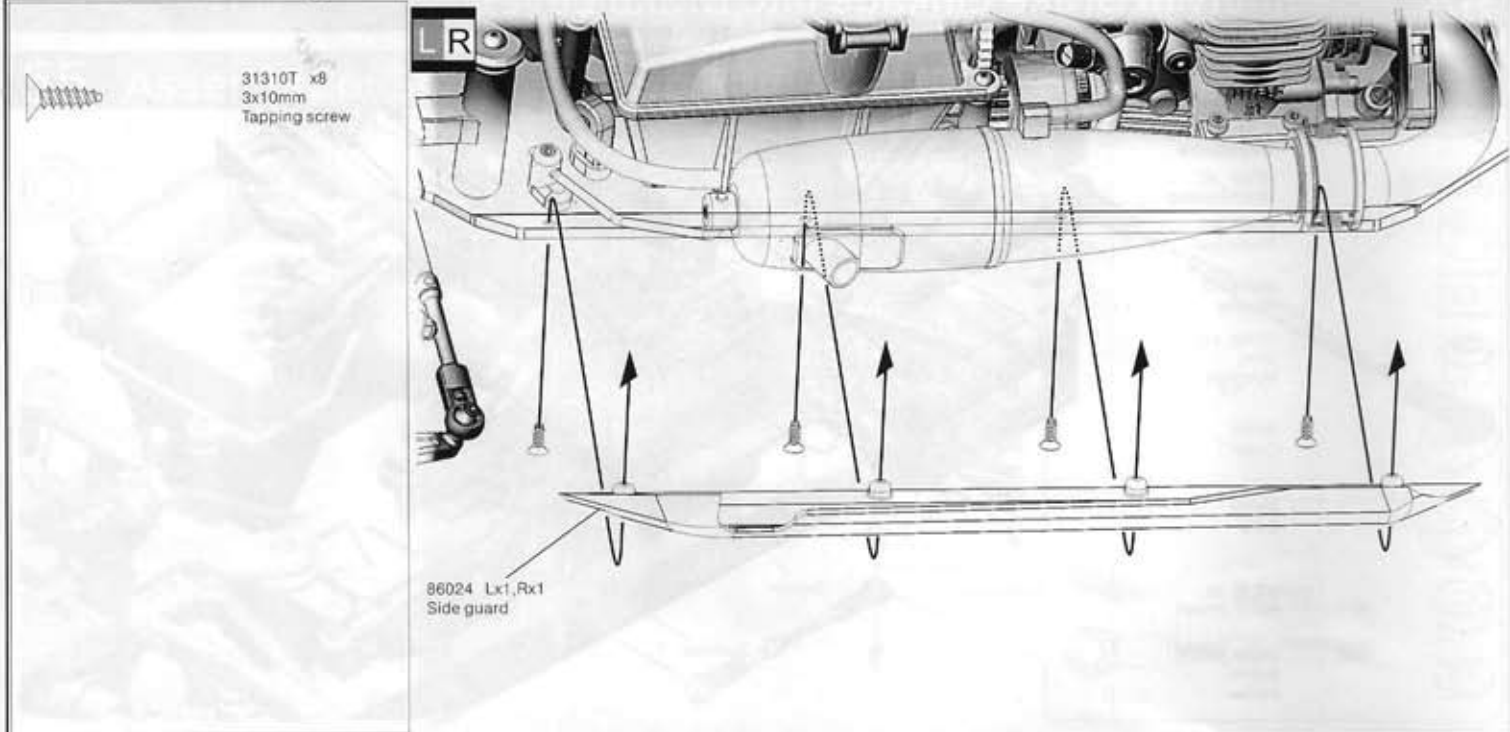
59 Assembly of Air Filter



60 Assembly of Air Filter onto Engine



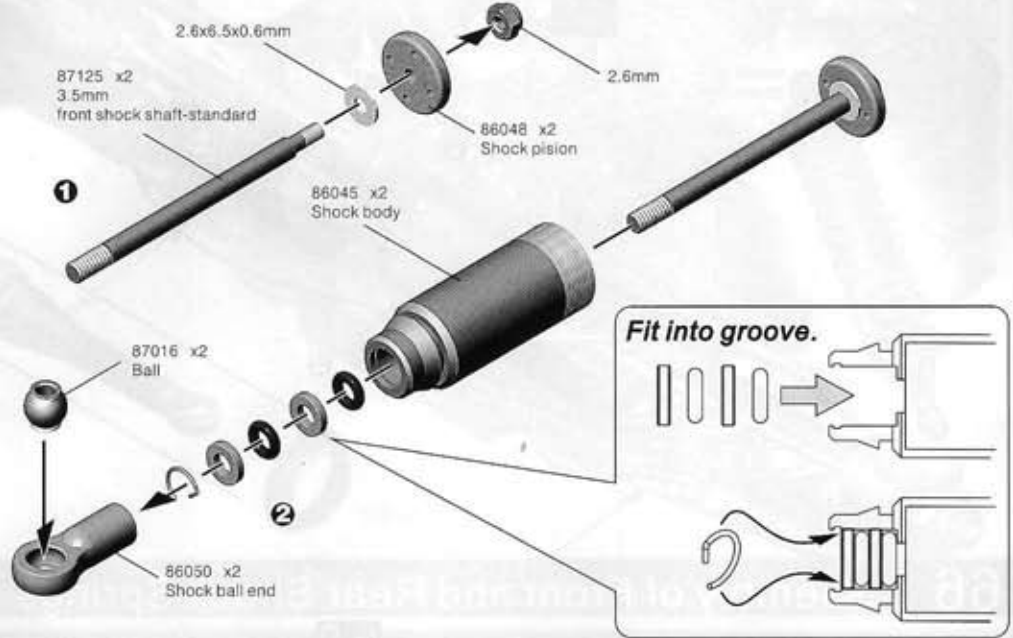
61 Assembly of Side Guard



62 Assembly of Front Shocks-Step-1

-  87125 x2
2.6mm
Nylon nut
-  87125 x2
2.6x6.5x0.6mm
washer
-  87398 x4
Shock collar
-  87398 x4
O-ring
-  87398 x2
C-clips

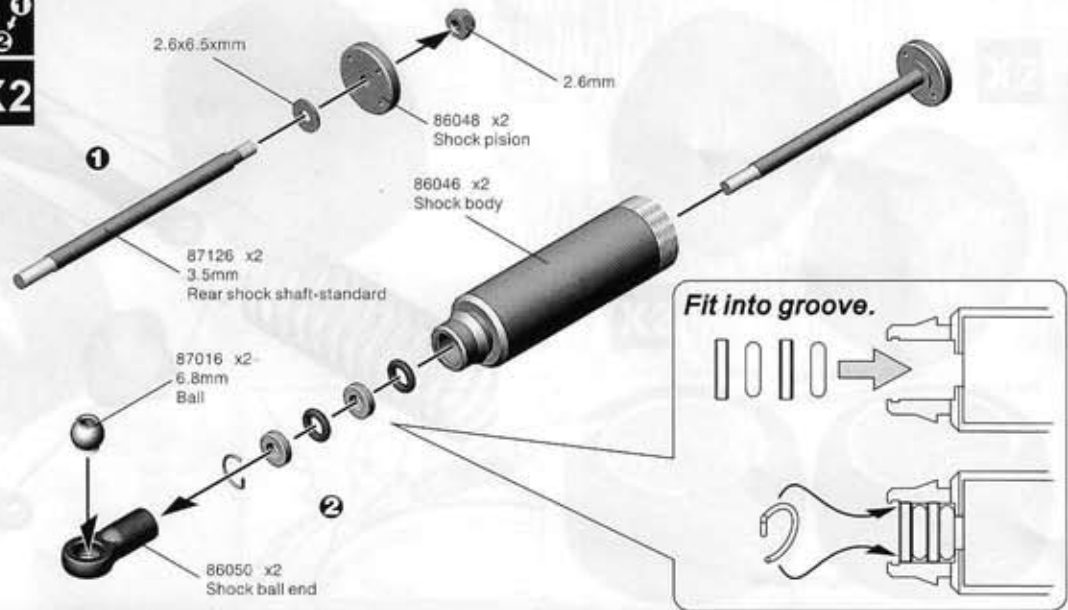
3
2
1
X2



63 Assembly of Rear Shocks-Step-2

-  87126 x2
2.6mm
Nylon nut
-  87126 x2
2.6x6.5x0.6mm
washer
-  87398 x4
Shock collar
-  87398 x4
O-ring
-  87398 x2
C-clips

3
2
1
X2



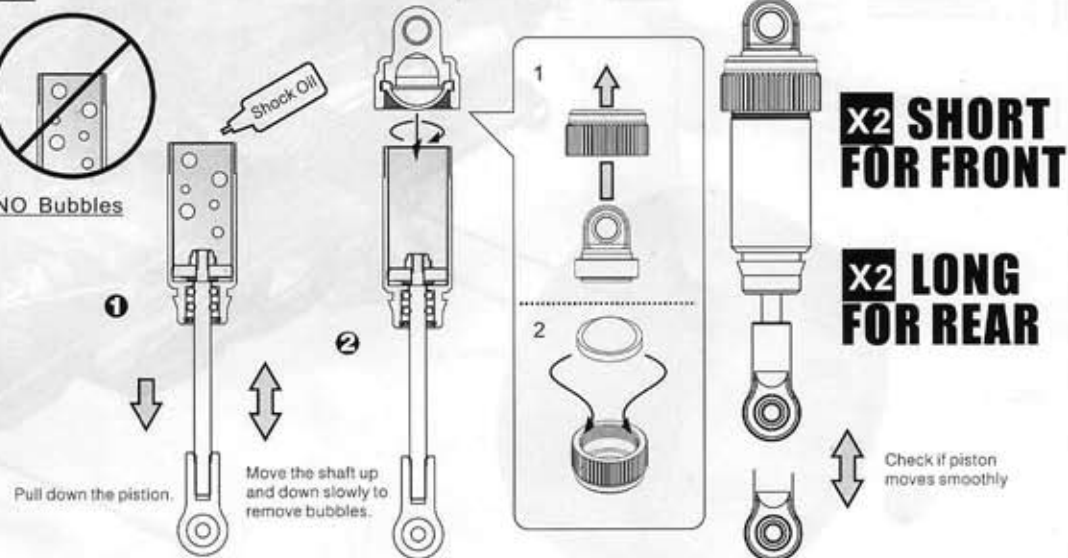
64 Assembly of Front and Rear Shocks-Step-3

-  86049 x4
Oil seal
-  86050 x4
Shock ball head
-  86045 x2
86046 x2
Shock cap

3
2
1



NO Bubbles



65 Assembly of Shock Shaft Dust Covers



86050 x4
Shock spring cap

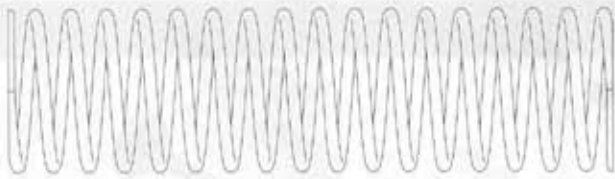
③
②
①



**X2 SHORT
FOR FRONT**

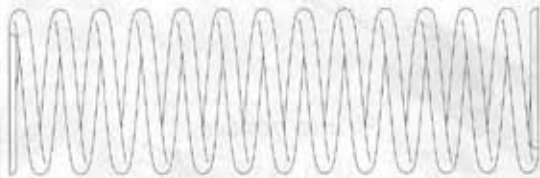
**X2 LONG
FOR REAR**

66 Assembly of Front and Rear Shock Springs



For Rear

86047 x2
Shock spring



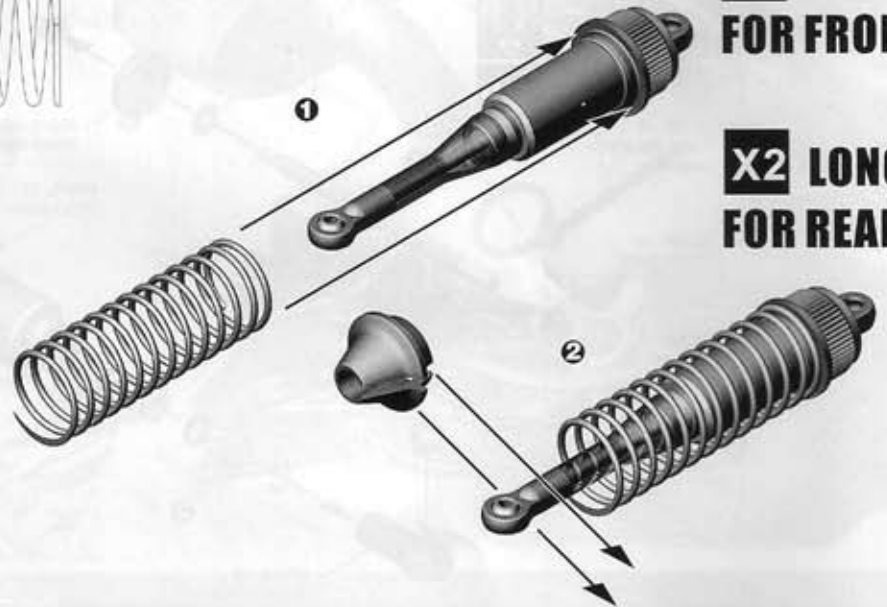
For Front

86047 x2
Shock spring



86050 x4
Shock spring supporter

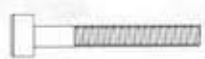
③
②
①



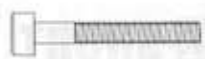
**X2 SHORT
FOR FRONT**

**X2 LONG
FOR REAR**

67 Assembly of the Front Shock Absorber

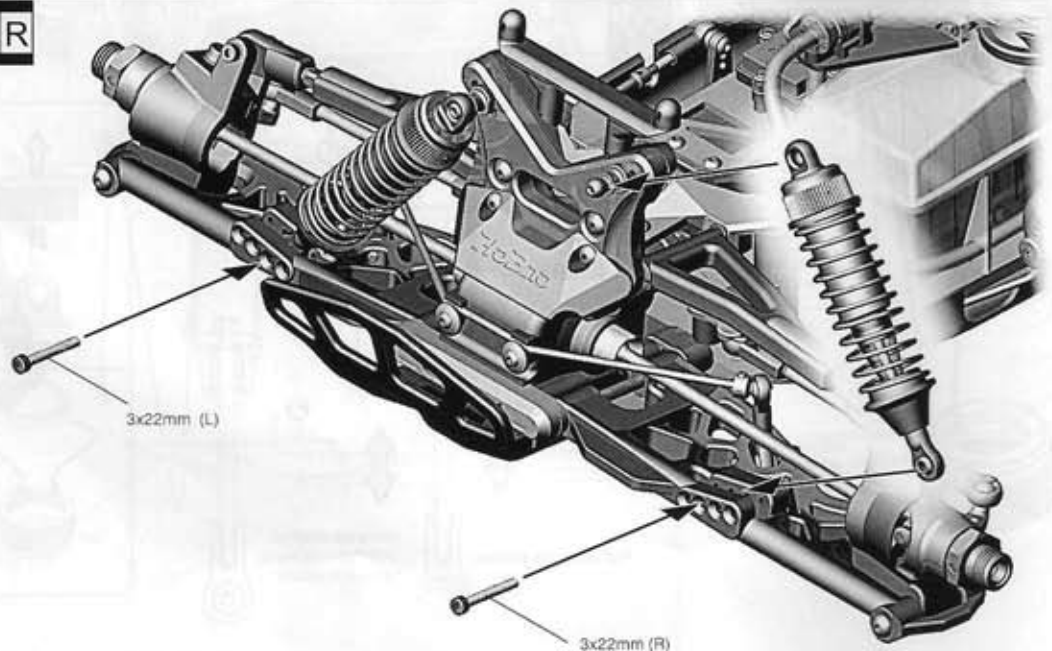


37353 x1
3x22mm (L)
Cap screws

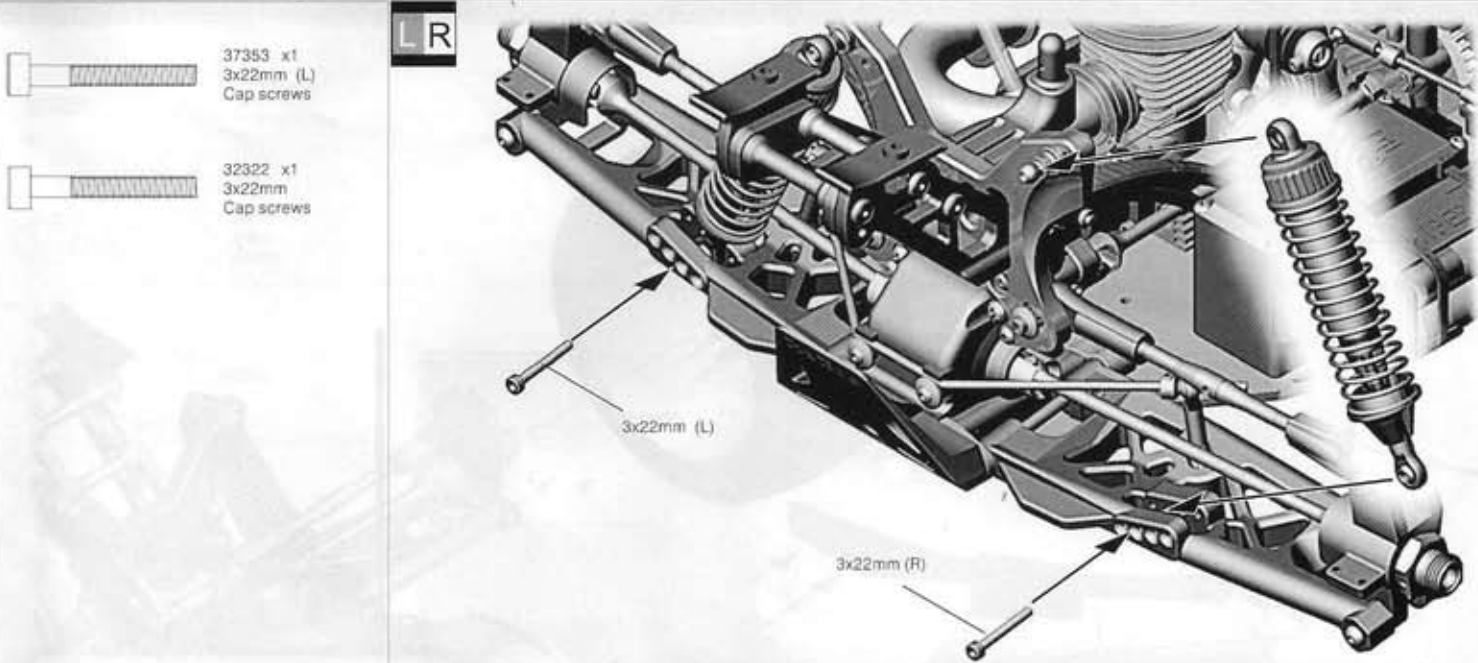


32322 x1
3x22mm
Cap screws

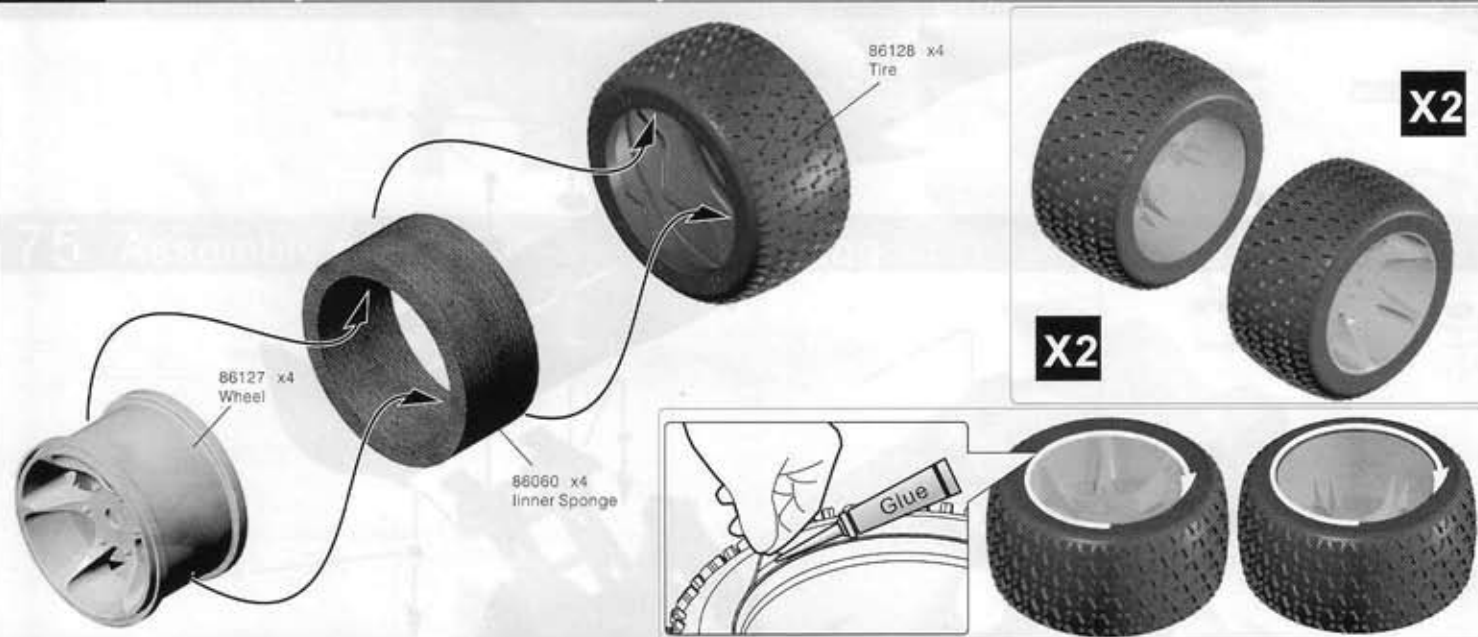
LR



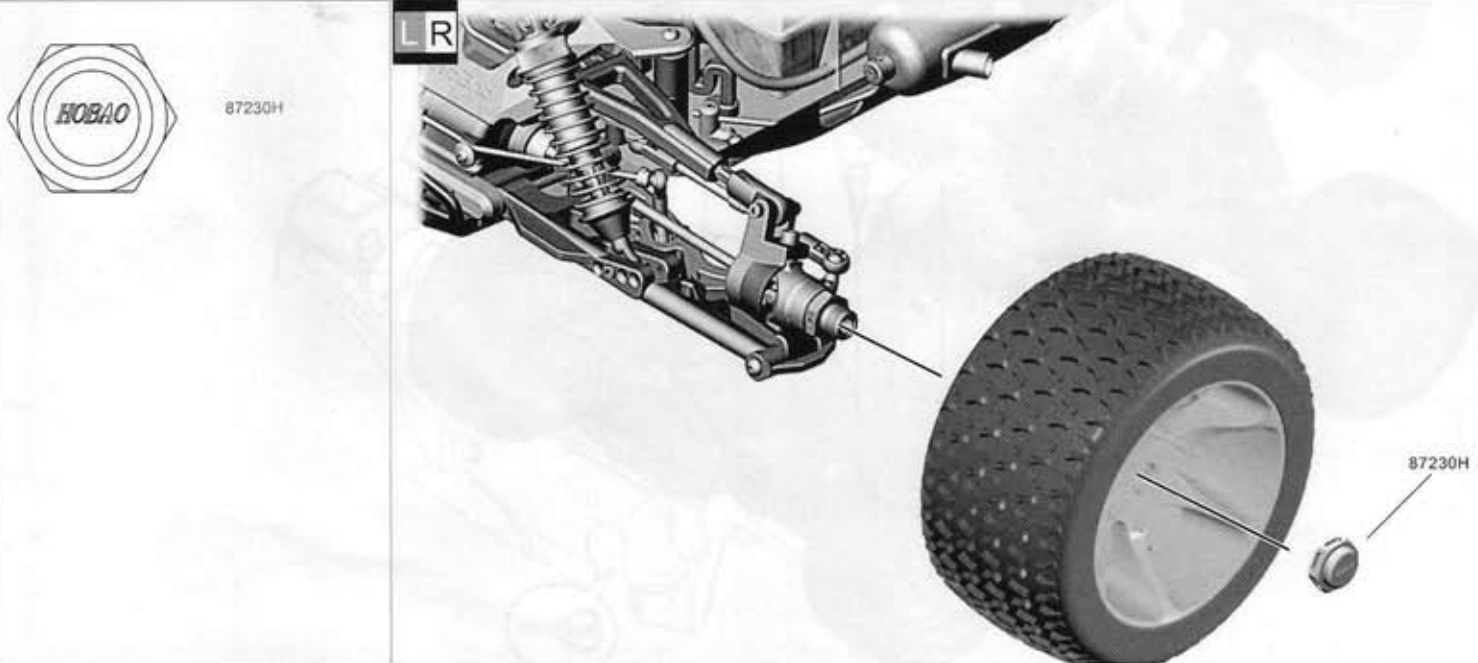
68 Assembly of the Rear Shock Absorber



69 Assembly of Wheels and Tyres



70 Assembly of the Tyres onto Front Knuckles

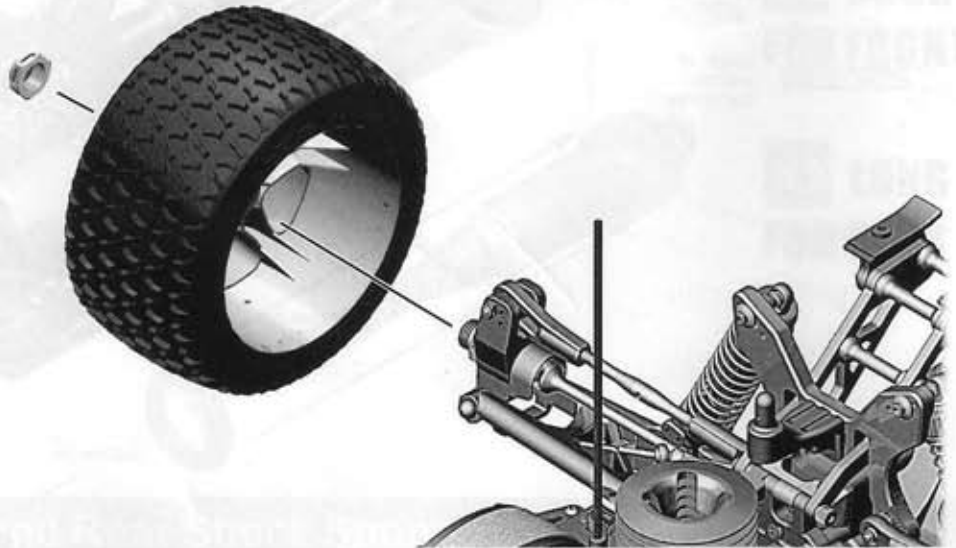


71 Assembly of the Tyres onto Rear Hubs

LR

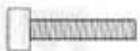


87230H



66

72 Assembly of the Wing



88035 x2
3x14mm
Cap screws



88035 x2
Wing Washer



88035 x2
3mm
Nylon nut

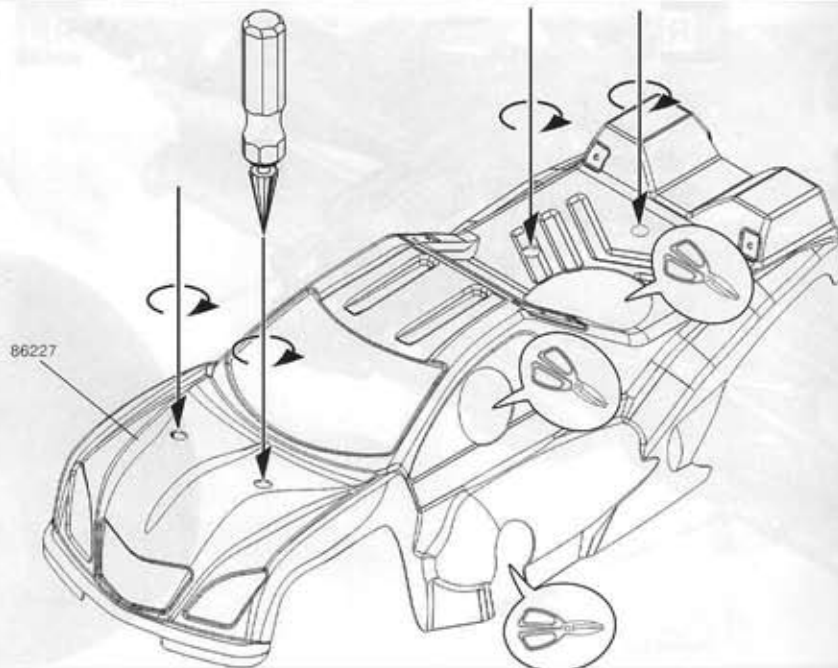
88035 x1
Wing

3x14mm

3mm



73 Required Drill Position



86227

74 Assembly of the Body Supporter



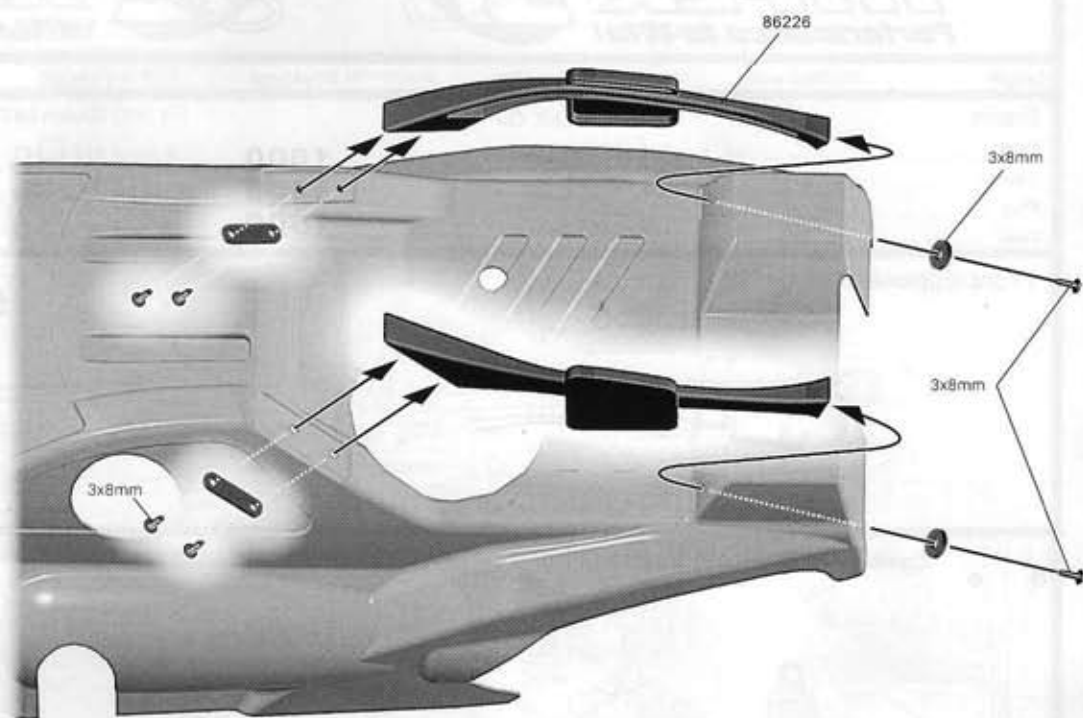
33308T x6
3x8mm
Tapping screw



86226 x2
3x8mm
washer



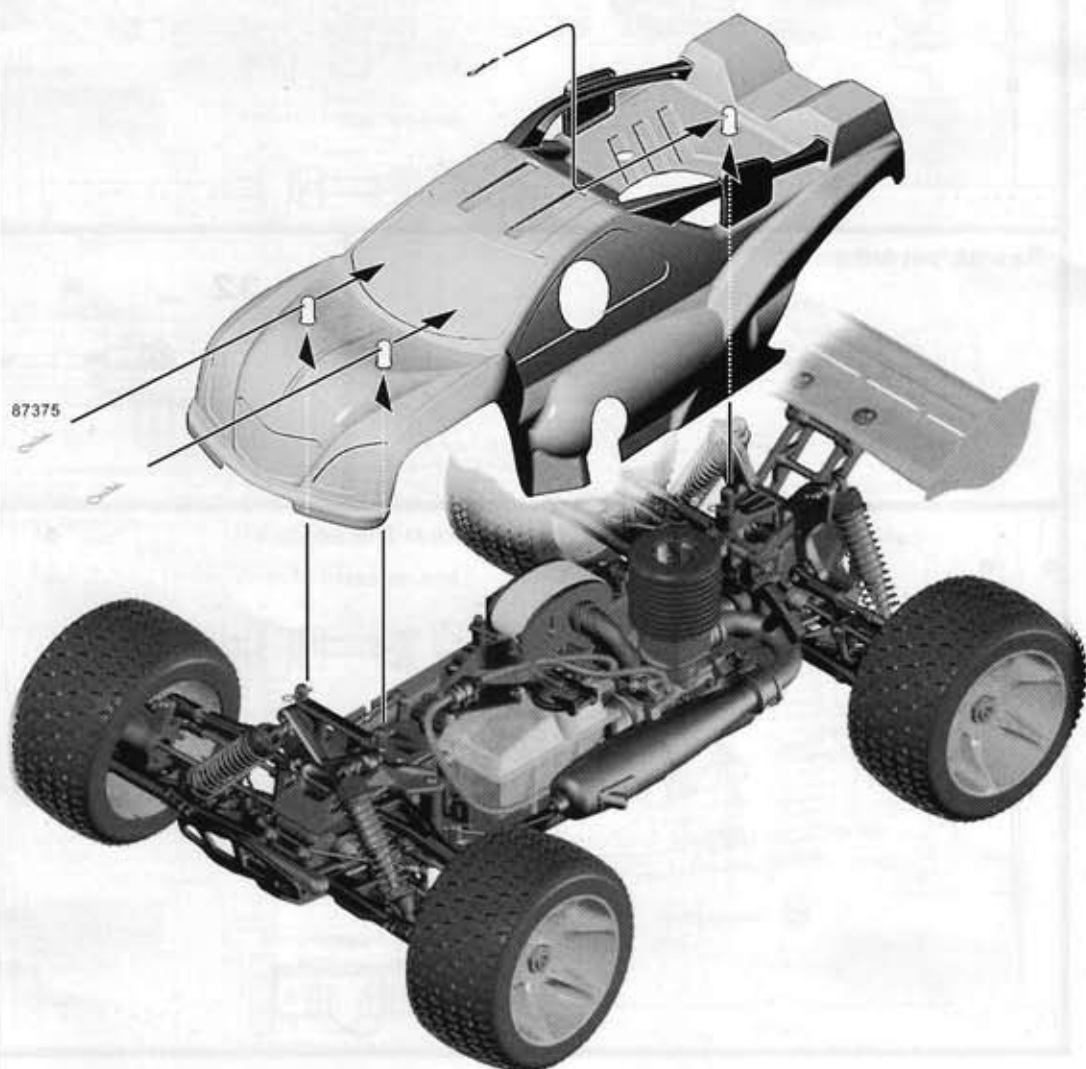
86226



75 Assembly of the Body Shell Mounting



87375
Snap pin





Name: _____

Date: ____/____/____

Track: _____

Length: _____ Front width: _____ Rear width: _____ Wheelbase: _____ Height: _____ Weight: _____

Engine	Diff. Oil	Clutch ball
Type: _____	Front:# 1000	13T <input type="checkbox"/> 14T <input checked="" type="checkbox"/> er. T.# _____
Gasket: _____	Center:# 3000	Spur gear
Plug: _____	Rear:# 1000	48T <input type="checkbox"/> 52T <input checked="" type="checkbox"/> er. T.# _____
Fuel: _____		

Front Upper Arms

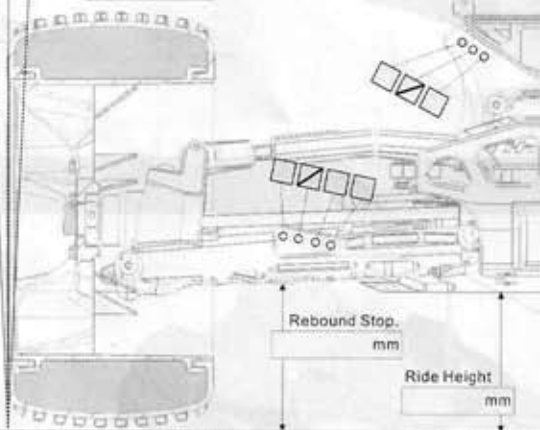
7.5 mm

Steering Rod

59 mm

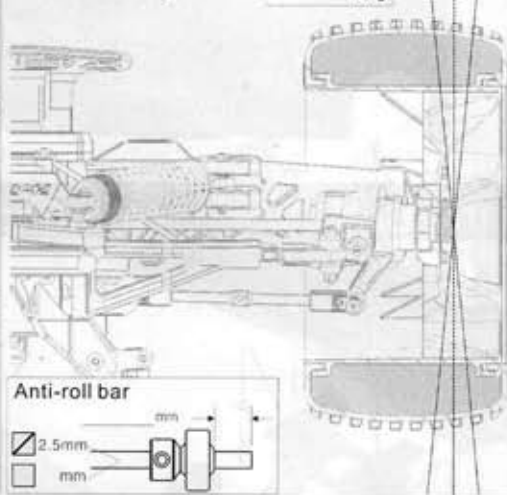
Front Suspension

Camber _____ Deg.



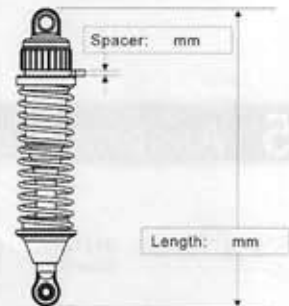
Front Toe angle

_____ Deg.



Front Shock

Oil: **30**



Tire-front
Type: _____
Inner: _____

Rear Upper Arms

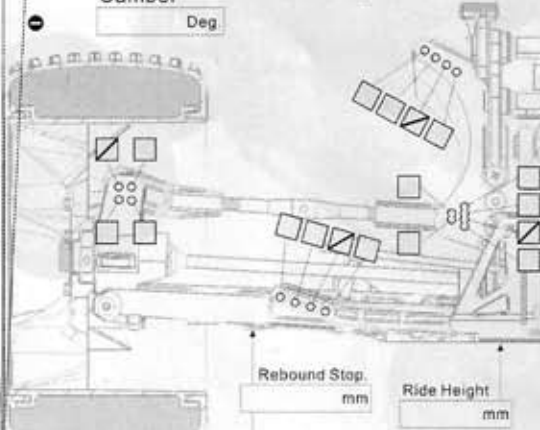
56 mm

Steering Servo Rod

32 mm

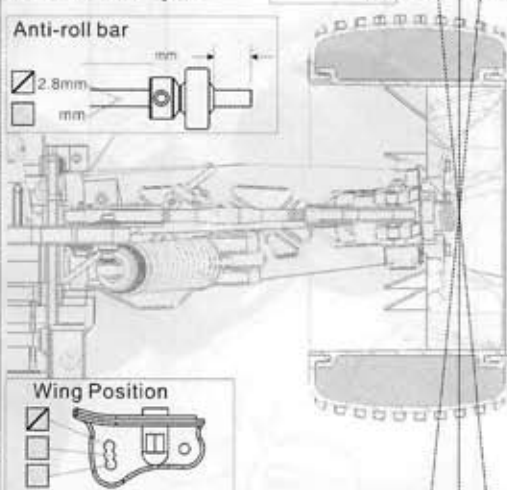
Rear Suspension

Camber _____ Deg.



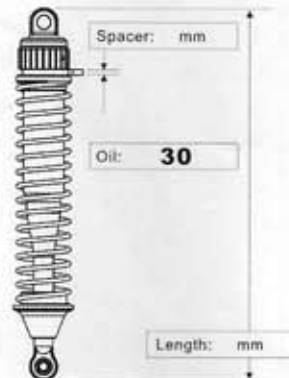
Rear Toe angle

_____ Deg.



Rear Shock

Spacer: _____ mm



Tire-Rear
Type: _____
Inner: _____

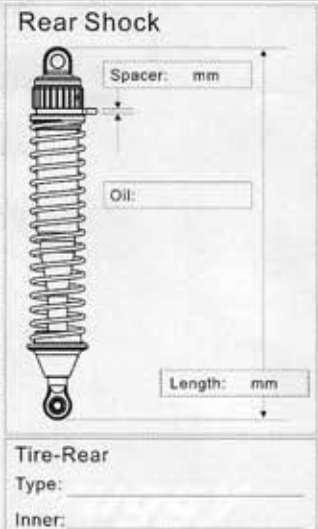
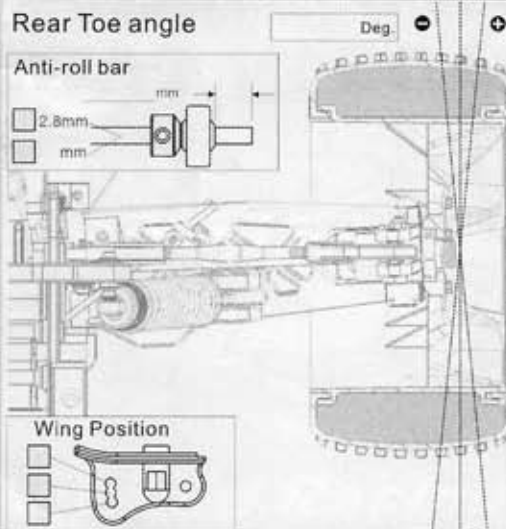
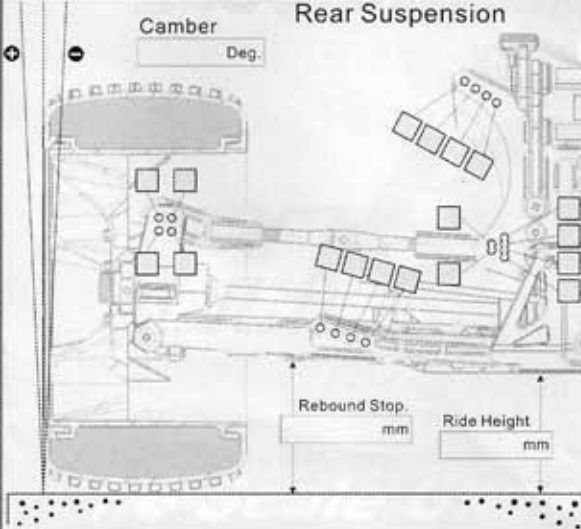
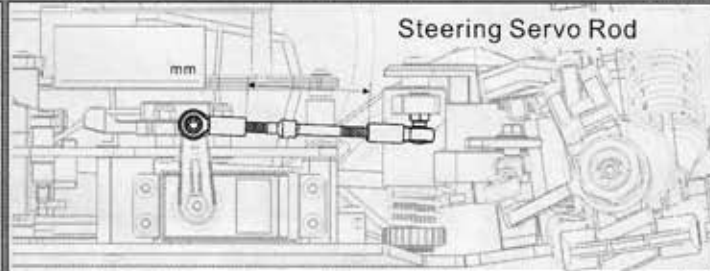
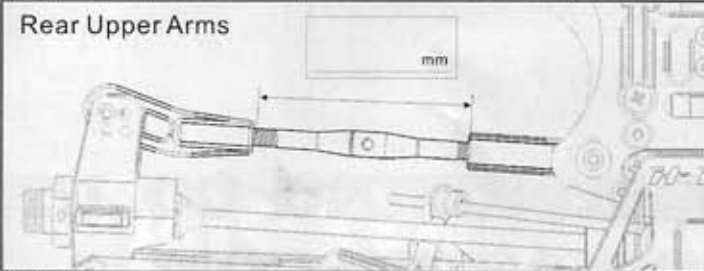
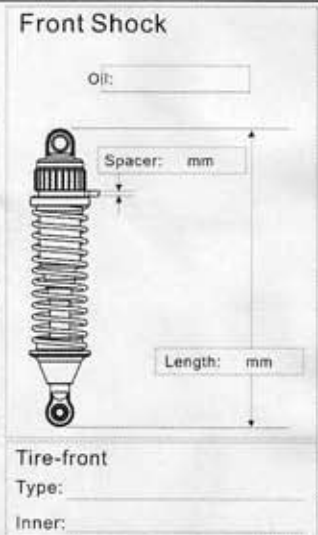
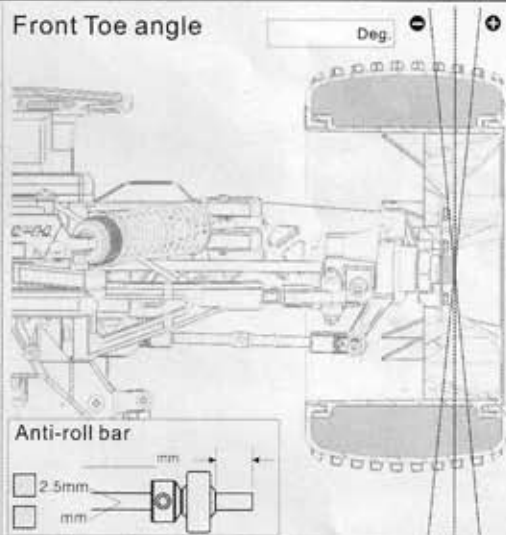
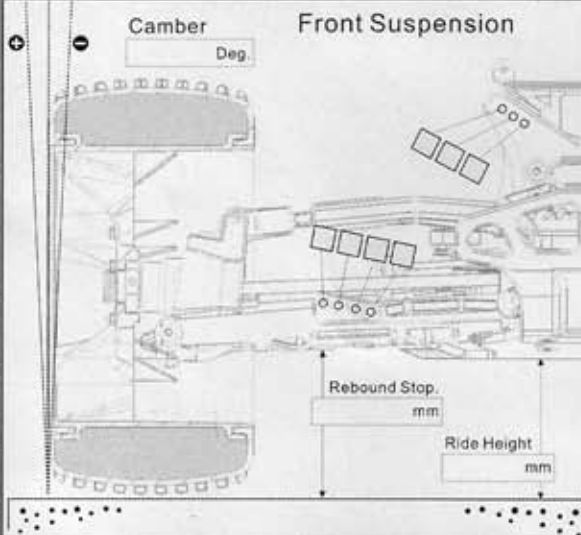
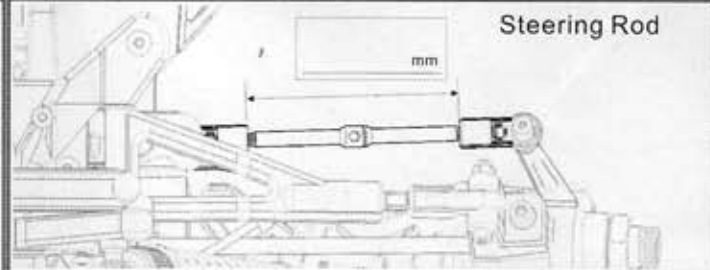
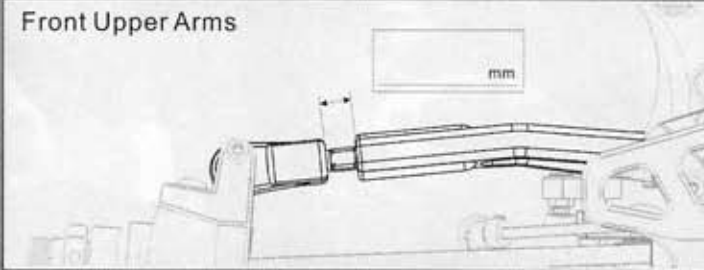


Name: _____

Date: ____/____/____

Track: _____

Length:	Front width:	Rear width:	Wheelbase:	Height:	Weight:
Engine		Diff. Oil		Clutch ball	
Type: _____		Front:# _____		13T <input type="checkbox"/> 14T <input type="checkbox"/> or T.# _____	
Gasket: _____		Center:# _____		Spur gear	
Plug: _____		Rear:# _____		48T <input type="checkbox"/> 52T <input type="checkbox"/> or T.# _____	
Fuel: _____					

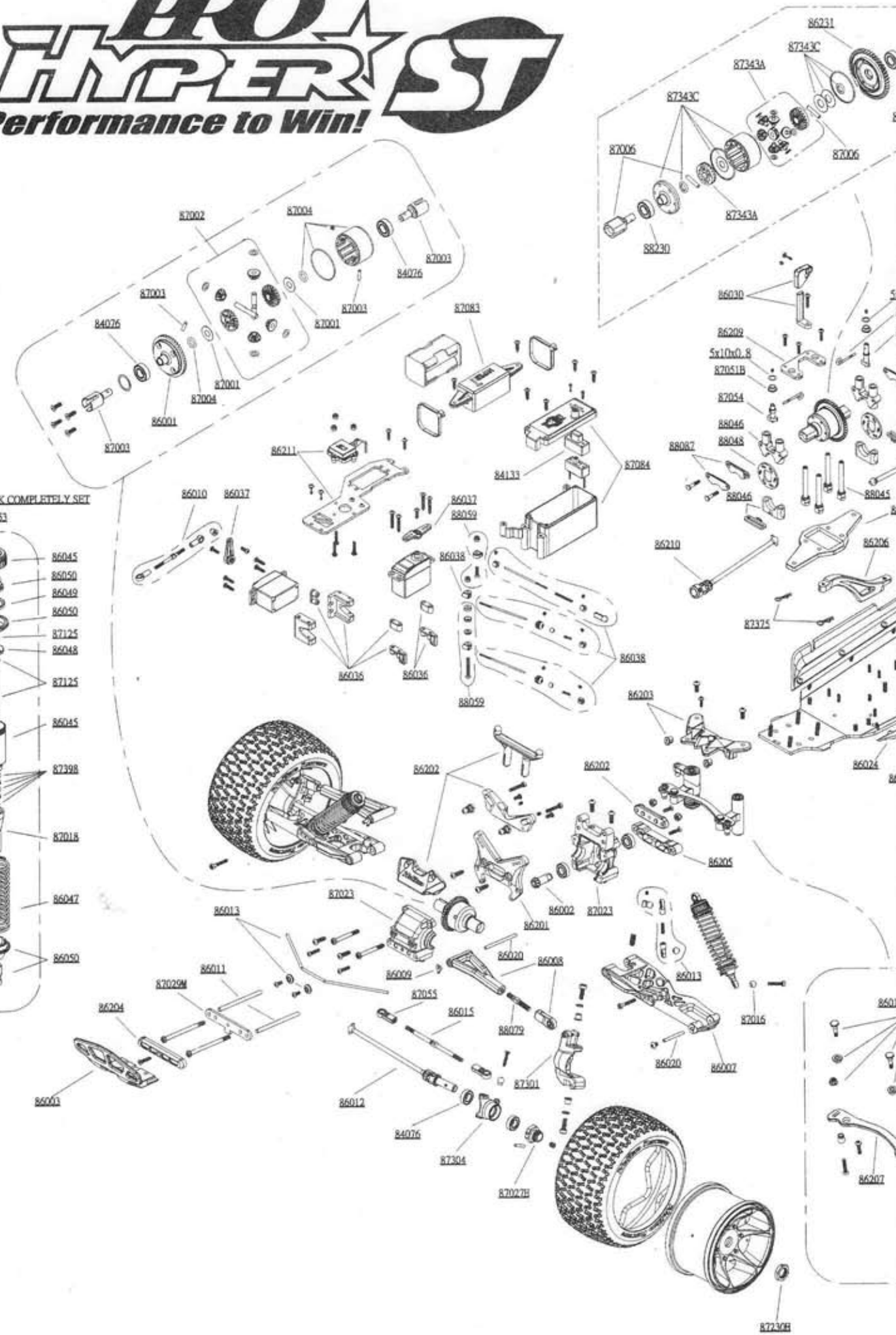


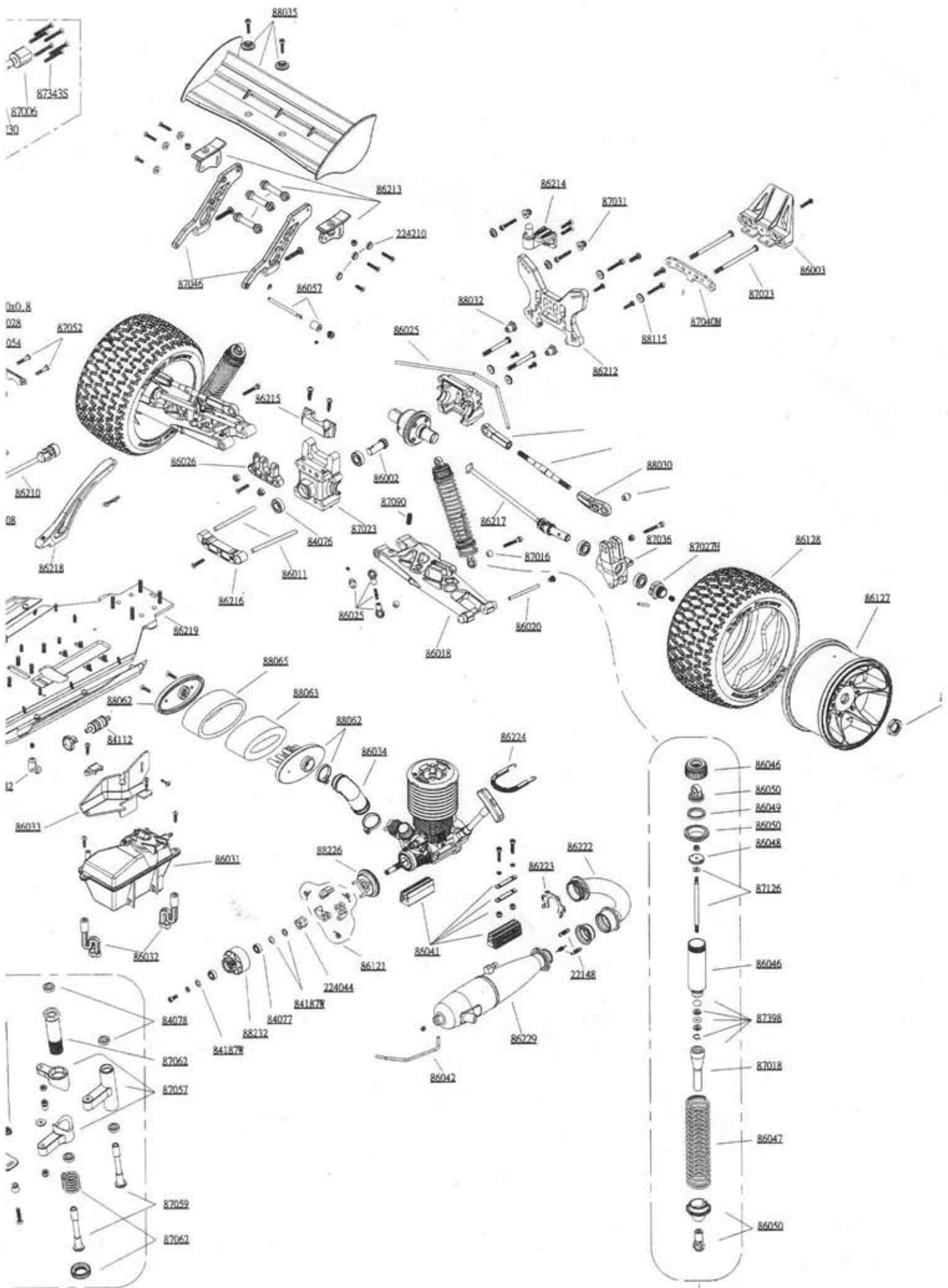
PRO HYPERST

Performance to Win!

FRONT SHOCK COMPLETELY SET

- 86053
- 86045
- 86050
- 86049
- 86050
- 87125
- 86048
- 87125
- 86045
- 87398
- 87018
- 86047
- 86050





REAR SHOCK COMPLETELY SET

86054



HO BAO ENTERPRISING CO.,LTD.
WWW.HOBAO-RACING.COM.
MADE IN TAIWAN

HO BAO EN
WWW.HOBAO
MADE IN TAIWA