



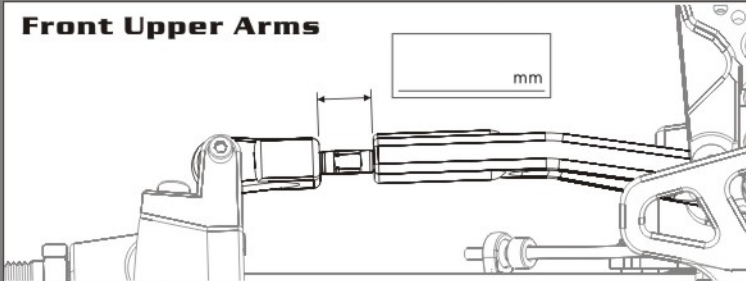
Name: _____

Date: ____ / ____ / ____

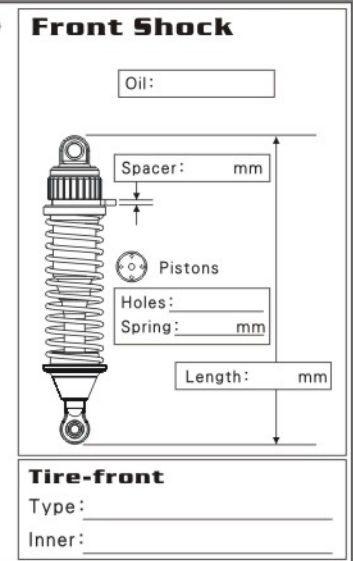
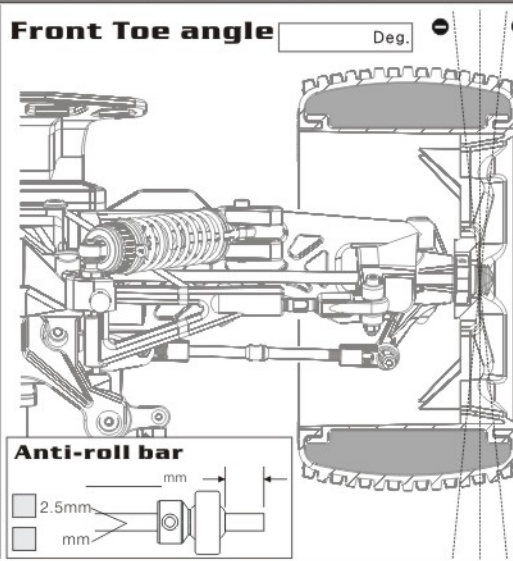
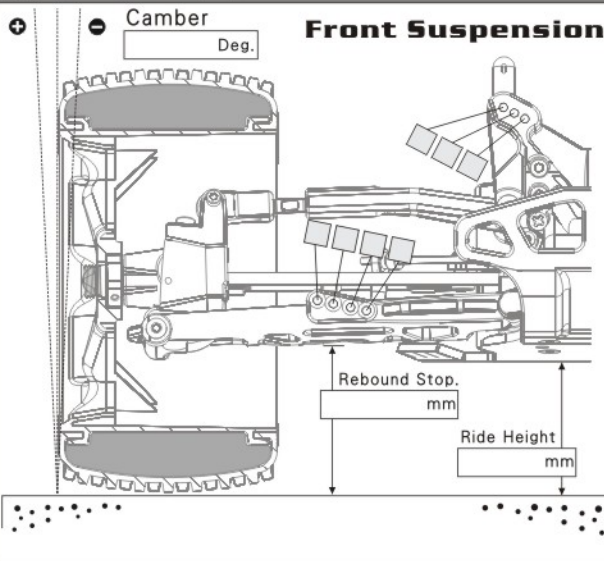
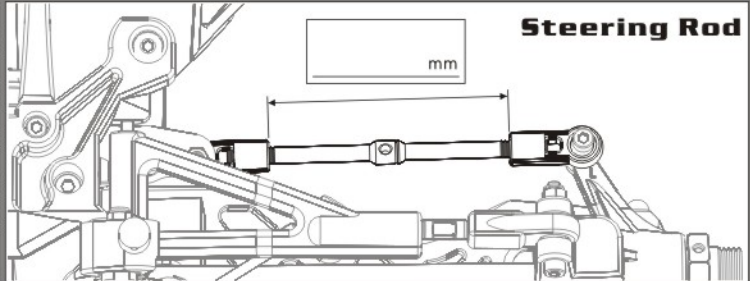
Track: _____

Length:	Front width:	Rear width:	Wheelbase:	Height:	Weight:
Engine Type: _____ Gasket: _____ Plug: _____ Fuel: _____		Diff. Oil Front: # _____ Center: # _____ Rear: # _____		Clutch ball 13T <input type="checkbox"/> 14T <input type="checkbox"/> Other _____ T. # _____ Spur gear 48T <input type="checkbox"/> 52T <input type="checkbox"/> Other _____ T. # _____	

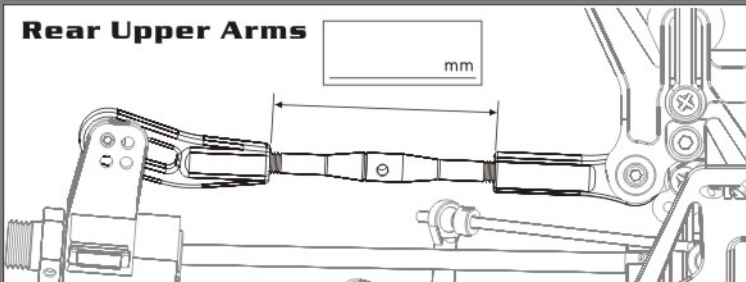
Front Upper Arms



Steering Rod



Rear Upper Arms



Steering Servo Rod

